



OWNER'S MANUAL

ENGLISH | FRANÇAIS | ESPAÑOL



Jandy Nicheless LED Underwater Light

! WARNING

FOR YOUR SAFETY - This product must be installed and serviced by a contractor who is licensed and qualified in pool equipment by the jurisdiction in which the product will be installed where such state or local requirements exist. The maintainer must be a professional with sufficient experience in pool equipment installation and maintenance so that all of the instructions in this manual can be followed exactly. Before installing this product, read and follow all warning notices and instructions that accompany this product. Failure to follow warning notices and instructions may result in property damage, personal injury, or death. Improper installation and/or operation may void the warranty.

Improper installation and/or operation can create unwanted electrical hazard which can cause serious injury, property damage, or death.

ATTENTION INSTALLER - This manual contains important information about the installation, operation and safe use of this product. This information should be given to the owner/operator of this equipment.

FCC Regulatory Compliance Statement

This device complies with part 15 of the FCC Rules. Operation is subject to the following two conditions:

- (1) This device may not cause harmful interference, and
- (2) this device must accept any interference received, including interference that may cause undesired operation.

CAUTION: Changes or modifications not expressly approved by the party responsible for compliance may void the user's authority to operate the equipment.

NOTE: This equipment has been tested and found to comply with the limits for a Class B digital device, pursuant to part 15 of the FCC Rules. These limits are designed to provide reasonable protection against harmful interference in a residential installation. This equipment generates, uses and can radiate radio frequency energy and, if not installed and used in accordance with the instructions, may cause harmful interference to radio communications. However, there is no guarantee that interference will not occur in a particular installation. If this equipment does cause harmful interference to radio or television reception, which can be determined by turning the equipment off and on, the user is encouraged to try to correct the interference by one or more of the following measures:

- Reorient or relocate the receiving antenna.
- Increase the separation between the equipment and receiver.
- Connect the equipment into an outlet on a circuit different from that to which the receiver is connected.
- Consult the dealer or an experienced radio/TV technician for help.

Table of Contents

Section 1.	Important Safety Instructions	4
Section 2.	General Description.....	5
2.1	Product Overview.....	5
2.2	Product Contents	5
Section 3.	Installing the Jandy® Nicheless LED Light	6
3.1	Preparing the Light Fixture for Installation	6
3.2	Installing the Light Fixture	8
3.3	Wet Area Installations	9
Section 4.	Wiring Options for Controlling Jandy Nicheless LED Lights.....	9
4.1	Wiring to an AquaLink® RS Control System	9
4.2	Wire Gauge and Length.....	10
4.3	Wiring to a Switch	11
4.4	Twelve (12) Volt Installation	11
Section 5.	Jandy Nicheless Underwater LED Light Operating Instructions	12
5.1	Light Synchronization.....	12
5.2	Operating the Light.....	13
Section 6.	S-Series Nicheless Underwater LED Light Operating Instructions	14
6.1	Light Synchronization for S-Series Lights	14
6.2	Operating the S-Series Lights.....	14
Section 7.	H-Series Nicheless Underwater LED Light Operating Instructions	15
7.1	Light Synchronization for H-Series Lights.....	15
7.2	Operating the H-Series Lights.....	15
Section 8.	P-Series Nicheless Underwater LED Light Operating Instructions	17
8.1	Operating the P-Series Lights.....	17
Section 9.	Winterizing	18
Section 10.	Troubleshooting.....	19

Section 1. Important Safety Instructions

IMPORTANT SAFETY INSTRUCTIONS PERTAINING TO A RISK OF FIRE, ELECTRIC SHOCK, OR INJURY TO PERSONS READ AND FOLLOW ALL INSTRUCTIONS

When installing and using this electrical equipment, basic safety precautions should always be followed, including the following:

DANGER

RISK OF ELECTRICAL SHOCK OR ELECTROCUTION. This underwater light must be installed by a licensed or certified electrician in accordance with the National Electrical Code® and applicable local codes and ordinances. In Canada, the Canadian Electrical Code and all applicable local codes and ordinances must be adhered to. Improper installation will create an electrical hazard, which could result in death or serious injury to pool or spa users, installers, or others due to electrical shock, and may also cause damage to property. Read and follow the specific instructions below.

WARNING

Before installing this underwater light, read and follow all warning notices and instructions accompanying this light. Failure to follow safety warnings and instructions can result in severe injury, death, or property damage.

Visit www.zodiacpoolsystems.com for additional free copies of these instructions or call Zodiac Technical Support at 800.822.7933 (U.S.) or 888.647.4004 (Canada)

CAUTION

Except when the Jandy® Nicheless Underwater LED Lights are installed in an area of the swimming pool that is not used for swimming and the lens is adequately guarded to keep any person from contacting it, the light shall be installed in or on a wall of the pool, with the top of the lens opening not less than 4 inches (102 mm) below the normal water level of the pool.

ATTENTION INSTALLER

This manual contains important information about the installation, operation and safe use of this product. This information should be given to the owner/operator of this equipment.

SAVE THESE INSTRUCTIONS

⚠ WARNING

RISK OF ELECTRICAL SHOCK OR ELECTROCUTION, which could result in serious injury or death. The Jandy® Nicheless LED Lights are only available for 12-volt AC power. For supply connection, use only an isolating low voltage power supply with ungrounded output, evaluated and listed by a NRTL for swimming pool use.

Section 2. General Description

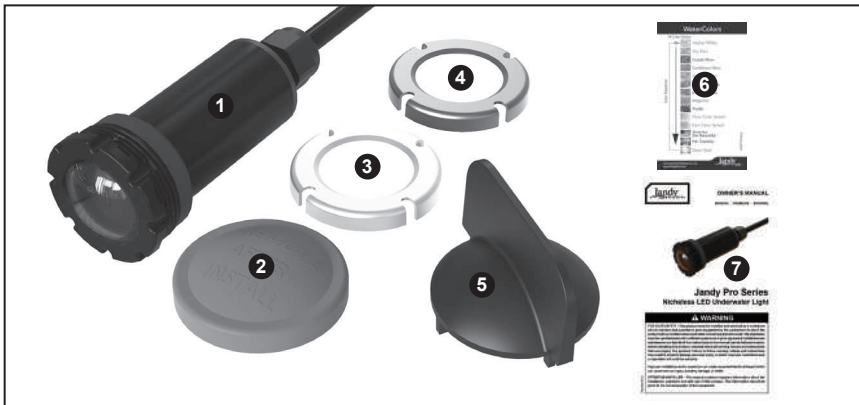
2.1 Product Overview

This manual provides instructions for installing and replacing the Jandy Nicheless Underwater LED Lights for pool and spa use.

CAUTION

The Jandy Nicheless LED Underwater Lights are not serviceable and therefore contain no serviceable parts. In order to prevent risk of property damage and/or injury, no service should be attempted to the light in the event of a malfunction. The complete light assembly must be replaced.

2.2 Product Contents



- 1 - Jandy Nicheless Underwater LED Light
- 2 - Protective Cover (See Page 7)
- 3 - White Cosmetic Cover (See Page 7)
- 4 - Gray Cosmetic Cover (See Page 7)
- 5 - Installation Tool (See Page 7)
- 6 - Quick Reference Guide
- 7 - Nicheless LED Underwater Light Owner's Manual

Section 3. Installing the Jandy Nicheless LED Light

WARNING

Risk of Electrical Shock or Electrocutation. This underwater light must be installed by a licensed or certified electrician or a qualified pool serviceman in accordance with the National Electrical Code® (Canadian Electrical Code, in Canada) and all applicable local codes and ordinances. Improper installation will create an electrical hazard, which could result in death or serious injury to pool or spa users, installers or others due to electrical shock, and may also cause damage to property.

Always disconnect the power to the light at the circuit breaker before installing or servicing the light. Failure to do so could result in death or serious injury to serviceman, pool or spa users or others due to electrical shock.

NOTE: Jandy Nicheless Lights are Low Voltage and do not have any exposed metal and as such do not require a separate ground or bonding wire.

3.1 Preparing the Light Fixture for Installation

NOTE: The electrician must complete preparatory steps before light fixture is installed. See Figure 1.

Verify that the pool meets the requirements of the current National Electrical Code® (Canadian Electrical Code, in Canada) and all local codes and ordinances. A licensed or certified electrician must install the electrical system to meet or exceed those requirements before the underwater light is installed. Some of the requirements of the National Electrical Code, which the pool electrical systems must meet, are as follows:

1. The junction box or the low-voltage magnetic transformer must be located at least eight (8) inches (measured from the inside of the bottom of the junction box or transformer) above the MAXIMUM water level, OR at least four (4) inches above the ground level or pool deck, whichever is greater. The junction box or 12VAC magnetic transformer must also be installed at least forty-eight (48) inches (4 ft.) from the edge of the pool. See Figure 1.
2. 1.5" pipe must be installed through the bond beam followed by 1" conduit for the cord using sweep elbows only for turns. Do not use 90 degree elbows. It is highly recommended to use 1.5" pipe throughout the entire width of the bond beam, however, the minimum length for the particular light being installed is specified in Table 1.

- A standard 1.5" plastic wall / return fitting (not included) must be installed so that the top edge of the underwater light's lens is at least 4 inches (10.2 cm) below the surface of the water in the pool.

See Figure 1.

NOTE: For optimal lighting results it is recommended to place lights 12-18" below the water line.

NOTE: To be certain that the pool's electrical system meets all applicable requirements, the electrician should also consult the local building department.

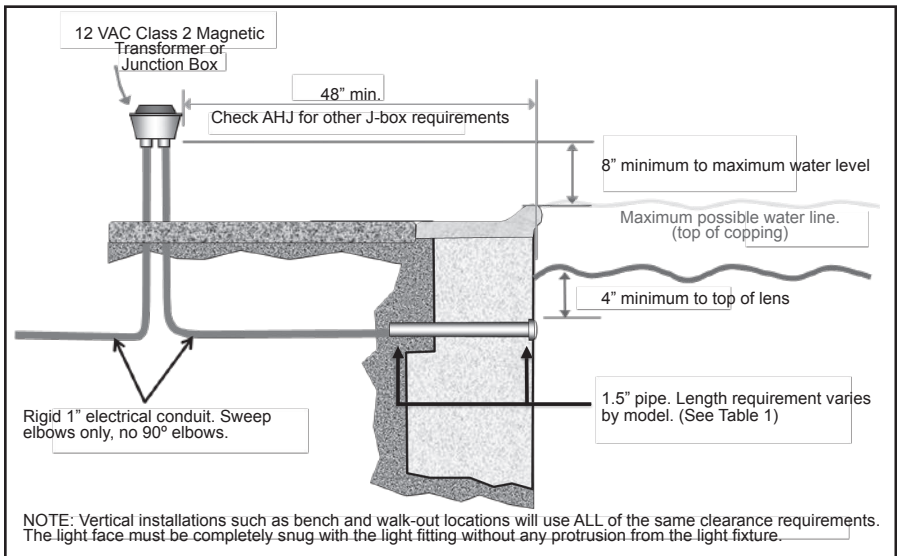


Figure 1. Jandy® LED Light Installation with Standard 1.5" Plastic Fitting

Use the chart below to determine the appropriate pipe length for your installation.

WATTS	MINIMUM LENGTH FOR 1.5" PIPE
6W	7"
12W	10"
24W	10"

All products listed above come in a variety of cord lengths. Cord lengths come in 50, 100 & 150 feet lengths.

Table 1. Jandy® LED Light Minimum 1.5" pipe length

3.2 Installing the Light Fixture

NOTE: Perform these steps *only* after the electrical system requirements are met.

1. Keep protective cover on to protect the light during installation.

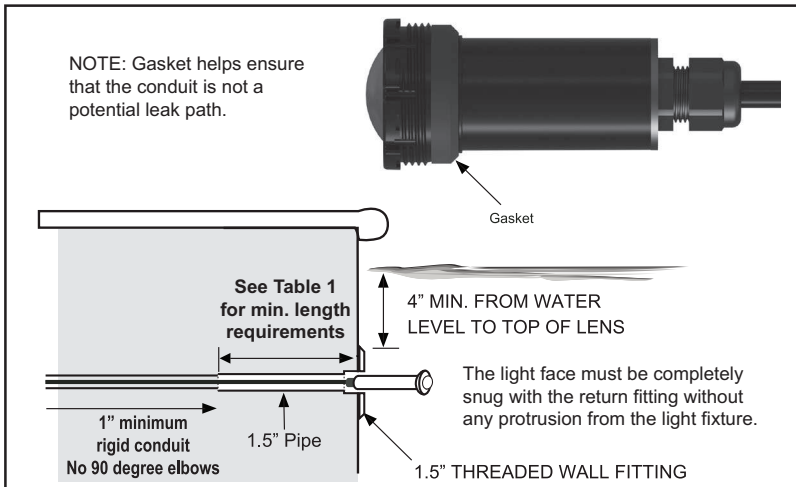
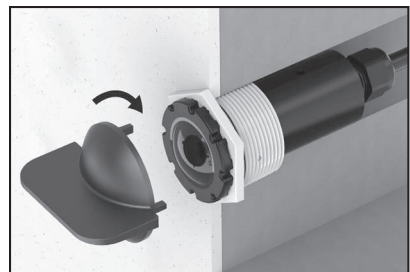


Figure 2. Standard installation with 1.5" pool wall fitting

2. Snake the electric cord through the conduit outlet of the wall fitting, into the conduit and up to the location of the pool transformer. Cut the cord 18"-24" beyond the length needed to reach the transformer to allow for a service loop. Pull the fixture snug to the wall fitting.
3. Remove protective cover after construction (including plastering for gunite pools) is complete. Do not plaster the pool with the construction cover removed.
4. Install cosmetic cover if desired.
5. Apply Teflon™ silicone lube to threads to assist with threading.

NOTE: When using a 1 1/2" MIP fitting on the back of a SP-1022 or SP-1408 Wall Fitting, the interior of the Spears and Dura MIP are too small for use with the Jandy® Nicheless LED Lights.

6. Using the included installation tool, thread the light into the wall fitting until it is snug. The light face must be completely flush with the return fitting. Please provide the pool owner with a minimum of 1 key upon job completion.



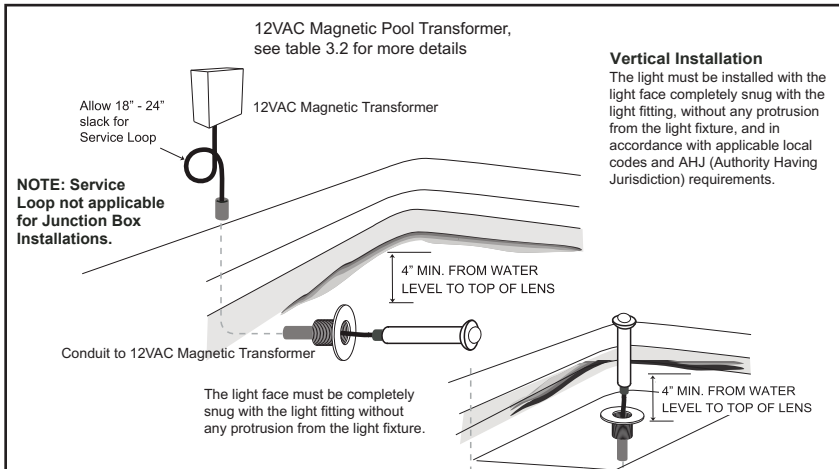


Figure 3. Standard installation with 1.5" pool wall fitting

3.3 Wet Area Installations

For wet area lighting within 10 feet (3M) of a pool or spa, use 6 Watt Models ONLY. Except when the luminaire is adequately guarded, the luminaire shall be installed in areas not subject to incidental contact from people, pets, vehicles, and foot traffic.

Section 4. Wiring Options for Controlling Jandy® Nicheless LED Lights

NOTE: Always consider the cable length when calculating the input voltage at the transformer. The maximum run of service between transformer and lights should not exceed 150ft. in length, inclusive of the use of a J Box or not.

To the extent allowed by local installation codes in effect in the installation jurisdiction and capacity of the electrical equipment, multiple Jandy lights may be controlled with a single switch and a 12VAC magnetic transformer so their colors may be synchronized.

IMPORTANT NOTE: All fixtures must be tied into the same transformer, circuit or switch for synchronization to occur. The use of Solid Core over Stranded wire and terminating Bus Bars is strongly recommended.

4.1 Wiring to an AquaLink® Controller

The Jandy Nicheless LED Lights can be controlled by an AquaLink controller. Connect the transformer powering the lights to one of the auxiliary relays in the AquaLink.

Refer to Figure 4 to connect the Jandy Nicheless LED Lights to the Power Center.

4.2 Wire Gauge and Length

CAUTION

Jandy® Nicheless Underwater LED Lights are low voltage fixtures. Improper wire gauge and wire length can effect the performance of these products. Follow the guidelines below to determine the proper operation and optimum performance of the lights.

Voltages are determined by the measured voltage level at the Bus Bar where the transformer and cords are connected.

NOTE: Each color mode has a slightly different power draw

6W & 12W lights: Min/Max Voltage per cord length		
Cord Length	Min. Voltage	Max. Voltage
50 Feet	9.4VAC	12.4VAC
100 Feet	10.7VAC	13.2VAC
150 Feet	11.82VAC	13.8VAC

24W Lights: Min/Max Voltage per cord length		
Cord Length	Min. Voltage	Max. Voltage
50 Feet	10.34VAC	12.56VAC
100 Feet	10.9VAC	13.5VAC
150 Feet	11.43VAC	14.1VAC

Table 2. Jandy® LED Light Voltage Min/Max Levels

WARNING

RISK OF ELECTRICAL SHOCK OR ELECTROCUTION, which could result in serious injury or death. A Ground Fault Circuit Interrupter (GFCI) for 120 Volt transformers should be used if required by the transformer manufacturer or if required by the local applicable code and/or Authority Having Jurisdiction (AHJ). When a GFCI is used, the conductors on the load side of the GFCI circuit shall not occupy conduit, boxes, or enclosures containing other conductors unless the additional conductors are also protected by a GFCI. Refer to local codes for complete details.

! WARNING

RISK OF ELECTRICAL SHOCK OR ELECTROCUTION, which could result in serious injury or death. The Jandy Nicheless LED Lights are only available for 12-volt AC power. For supply connection, use only an isolating low voltage power supply with ungrounded output, evaluated and listed by a NRTL for swimming pool use.

4.3 Wiring to a Switch

The Jandy® Nicheless LED Lights can be wired to a switch to manually operate the lights. Refer to Figure 4 to connect the lights into the switch.

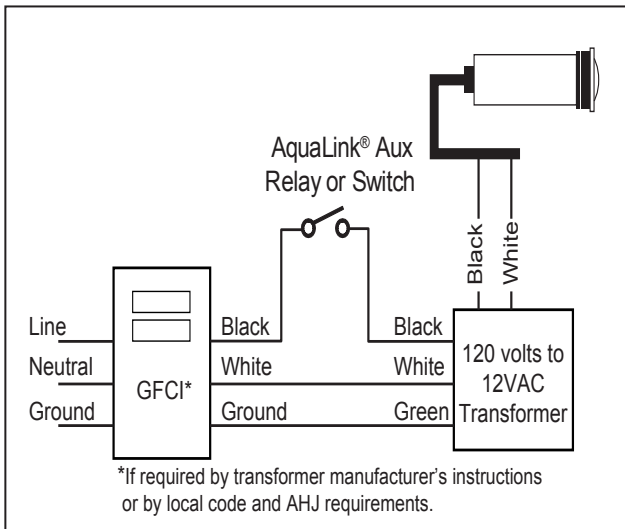


Figure 4. Wiring Jandy Nicheless Underwater Lights

4.4 Twelve (12) Volt Installation

A 12-14 Volt AC Magnetic Transformer must be used to power all 12-Volt lights.

NOTE For optimum performance do not exceed the load factor specified by the instructions included with the transformer.

To ensure maximum safety, use only a Class 2 magnetic transformer that can supply 12-14 Volts AC to power all 12-Volt lights. The transformer must be listed or certified by a Nationally Recognized Testing Laboratory (NRTL) for the intended use.

! CAUTION

To prevent risk of fire which could result in property damage, and to ensure optimum performance, do not exceed the load factor specified in the instructions provided by the transformer manufacturer.

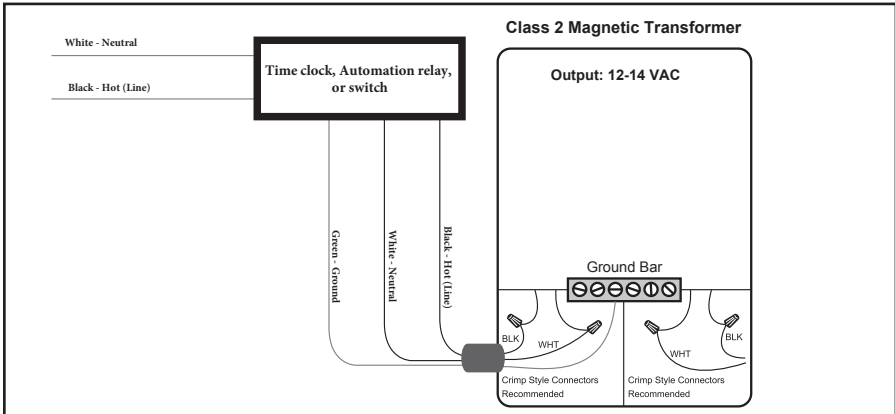


Figure 5. Wiring LED Lights to a 12 Volt Magnetic Transformer

NOTE A magnetic low-voltage dimmer switch or dimming relay may be used when Jandy Nicheless WHITE ONLY lights are installed. Jandy color lights are NOT DIMMABLE and are NOT COMPATIBLE with dimmer switches or dimmer relays.

NOTE Sections 5-8 apply to color (RGBW or RGB) lights only. All fixtures must be tied into the same transformer, circuit or switch for synchronization to occur.

Section 5. Jandy® Nicheless Underwater LED Light Operating Instructions

5.1 Light Synchronization

1. Turn the light **ON**. If the light has been off for 7 seconds or longer, the light will turn on with the last color selected.
2. To synchronize multiple lights to the same color mode, you will need to reset to the beginning of the color mode sequence. With the lights **ON**, turn them **OFF** for five (5) seconds, then turn **ON** again. All of the lights will reset to the Alpine White color mode. If all of the lights are not in the Alpine White color mode, they have not been synchronized, repeat step 2.

5.2 Operating the Light

3. To change the color mode, turn the light **OFF** for one 1-3 seconds.

Continue turning **OFF** and **ON** until the desired light color mode is reached. See Table 3 for the color mode sequence.

Example: If you followed step 3 and are now on Sky Blue and want the lights to be Violet, then the lights must be turned off and on 7 times to bring you to Violet.

Sequence Order	Color Modes
1	Alpine White
2	Sky Blue
3	Cobalt Blue
4	Caribbean Blue
5	Spring Green
6	Emerald Green
7	Emerald Rose
8	Magenta
9	Violet
10	Slow Color Splash
11	Fast Color Splash
12	America the Beautiful
13	Fat Tuesday
14	Disco Tech

Table 3. Color Mode Sequence

4. The lights have memory. If the lights are off for 7 seconds or more, the next time the lights are turned on, they will return to the last color mode they were on prior to being turned off (Step 1 listed above). This function allows you to keep your lights returning to your favorite color mode every time the lights are turned back on.

NOTE To synchronize colors on multiple Jandy® Nicheless Underwater LED Light systems wired to separate switches, perform the above actions on all of their switches simultaneously. All Jandy Nicheless Underwater LED Lights will synchronize automatically if activated by the same switch. No other accessories are required.

Section 6. S-Series Nicheless Underwater LED Light Operating Instructions

6.1 Light Synchronization for S Series Lights

1. Turn the light **ON** and wait for **20 seconds**. The lights will first come on white for 10-15 seconds and then return to the color mode it was on prior to being turned off.
2. To synchronize lights, turn the lights off, wait 6-9 seconds and then turn them back on. You should see three quick flashes (red, green & blue), then all the lights will reset to the first color mode (Treasure Island)
3. (A) If you do not see three quick flashes, then the lights did not reset.
(B) If you did not wait long enough (shorter than 6 seconds) the lights will advance to their next color mode. They are not synced as each light could be in different color modes.
(C) If you wait too long (longer than the 9 seconds) they all will go to white for 10-15 seconds, looking like they're synced BUT AFTER 15 seconds they will return to their previous color mode (which at this point the lights are still unsynchronized).
4. Repeat step 1 - 3 until synchronization is accomplished.

6.2 Operating the S Series Lights

1. To move to the next color mode, turn the lights off for 1-2 seconds and turn back on. Repeat until desired color mode is found.

Example: If you are now on Fixed Green and want the lights to be White, then the lights must be turned off and on 7 times to bring you to Moonlight White.

Sequence Order	Color Modes for S Series Lights
1	Treasure Island / Slow Color Change
2	Moonlight White / Fixed White
3	SAVI Blue / Fixed Blue
4	Sargasso Sea / Fixed Green
5	Blue Lagoon / Fixed Light Blue
6	Passion Pink / Fixed Light Blue
7	Caribbean Hues / Blue and Green Slow Color Change
8	Copacabana / Magenta, Yellow and Orange Slow Color Change
9	Dance Party / Multi Color Strobe Effect

Table 4. Color Mode Sequence for S Series Lights

2. The lights have memory. If the lights are off for 10 seconds or more, the next time the lights are turned on, they will go to white for approximately 10-15 seconds and then return to the last color mode they were on prior to being turned off. This function allows you to keep your lights returning to your favorite color mode every time the lights are turned back on.

NOTE To synchronize colors on multiple S-Series Nicheless Underwater LED Light systems wired to separate switches, perform the above actions on all of their switches simultaneously. All S-Series Nicheless Underwater LED Lights will synchronize automatically if activated by the same switch. No other accessories are required.

Section 7. H-Series Nicheless Underwater LED Light Operating Instructions

7.1 Light Synchronization for H-Series Lights

1. Turn the light **ON**. The lights will first come on white for 15 seconds and then return to the color mode it was on prior to being turned off.
2. H-Series Lights may be operated independently or together depending upon the initial installation of your lights. All H-Series lights that are wired to the same 12V Transformer/Switch will synchronize their operation of the 17 Color modes. If they do get out of sync, turn the switch on then back off - wait between 6 and 9 seconds and turn the switch back on. They should now all be in position #1.

7.2 Operating the H-Series Lights

1. To move to the next color mode, turn the lights off for 1-3 seconds and turn back on. Repeat until desired color mode is found.

Example: If you are now on Deep Blue and want the lights to be White, then the lights must be turned off and on 5 times to bring you to White.

Sequence Order	Color Modes (Universal Hayward® ColorLogic® emulation)
1	Color Show - Voodoo Lounge
2	Deep Blue Sea
3	Royal Blue
4	Afternoon Skies
5	Aqua Green
6	Emerald
7	Cloud White
8	Warm Red
9	Flamingo Pink
10	Vivid Violet
11	Sangria Dark Purple/Red
12	Color Show - Twilight
13	Color Show - Tranquility
14	Color Show - Gemstone
15	Color Show - USA
16	Color Show - Mardi Gras
17	Color Show - Cool Cabaret

Table 5. Color Mode Sequence for H-Series Lights

- The lights have memory. If the lights are off for 60 seconds or more, the next time the lights are turned on, they will go to white for approximately 15 seconds and then return to the last color mode they were on prior to being turned off. This function allows you to keep your lights returning to your favorite color mode every time the lights are turned back on.
- H-Series LED Colored Nicheless Lights are specifically designed to be compatible with by select Hayward® Controls and Zodiac® Rev T.2 RS Systems for direct switching/access to colors and programs. Please refer to Hayward and Zodiac Series controls for installation and operational directions.

NOTE At NO TIME shall the H-Series lights be used in conjunction with any other lights. The color choices, shows and operations are entirely different.

Section 8. P-Series Nicheless Underwater LED Light Operating Instructions

8.1 Operating the P-Series Lights

1. Turn the light **ON** and wait for **20 seconds**. The lights will first come on white for a few seconds and then return to the color mode it was on prior to being turned off.
2. P-Series LED Colored Nicheless Lights are specifically designed to be compatible with by select Pentair® Controls and Jandy Aqualink® Controls with Pentair IntelliBrite® control for direct switching/access to colors and programs **WITHOUT** having to toggle sequences ON/OFF. Please refer to the controller manual for installation and operational directions.

NOTE When using the above mentioned controls - when programming the Light Function - the general selection choice offered that should be selected is IntelliBrite. The color and show names will be slightly different but all operations will be correct.

NOTE At NO TIME shall the P-Series lights be used in conjunction with any other lights. The color choices, shows and operations are entirely different.

3. To move to another color mode, cycle the lights OFF/ON the selected number of times listed below.

Example: If you are now on Blue (8) and want the lights to be Magenta (12), then the lights must be turned off and on twelve (12) times to bring you to Magenta. To move to Old School, turn OFF/ON 1 time.

WARNING

During OFF/ON Cycle, before the selected mode is displayed, no illumination will occur. During this period of time the pool/spa will be dark and precautions should be taken to avoid unforeseen accidents. Failure to observe this warning may result in serious injury or death to pool/spa users.

Cycle Number	Color Modes for P-Series Lights (Pentair® IntelliBrite® emulation)
1	SAM® Mode
2	Party Mode
3	Romance Mode
4	Caribbean Mode
5	American Mode
6	California Sunset
7	Royal Mode
8	Blue
9	Green
10	Red
11	White
12	Magenta
13*	<i>Hold : Saves the current color choice during a color show</i>
14*	<i>Recall: Turns on last saved color selection selected in position #13</i>
* These 2 Modes are specifically used with advanced control systems and not manual operations	

Table 6. Color Mode Sequence for P-Series Lights

4. The lights have memory. If the lights are off for 5-10 seconds, the next time the lights are turned on, they will go to white for a few seconds and then return to the last color mode they were on prior to being turned off. This function allows you to keep your lights returning to your favorite color mode every time the lights are turned back on.

Section 9. Winterizing

Do not keep the winter water level at the level of the light. Make certain that the water level is left at least 4” or more above or below the light depending on the pool’s other winterization needs. Consult a Local Swimming Pool Professional for proper winterization. At NO TIME should there be water removed from the pool without checking ground water tables.

Section 10. Troubleshooting

Use the troubleshooting information in the following table for suggestions.

Symptom	Problem	Corrective Action
All lights fail to illuminate	Lights are not receiving power	Check 120VAC power supply into transformer. Check for 12VAC output at transformer. Check or reset GFCI. Make sure 120 volts has not been used in the installation - if so damage is assured and is NOT WARRANTABLE.
One or more lights are dim, blinking or not working	Poor connection or improper wire gauge	Separate each light and independently wire 12V to the single light only. Repeat this process on each light. If junction box is being used, check for proper connection of light cord. Verify that the correct wire gauge is being used between the transformer and junction box.
Colored lights out of synch	Improper voltage supply or poor connection to the light	Verify that proper wire connections are being achieved for the lights that are out of sync. Reset all the lights to white by turning lights OFF for five (5) seconds, then turning ON
Light is blinking	Light is too hot	Confirm that the light is submerged in water that does not exceed a temperature of 104F (40C)
Different colors from different lights	Color lights of different series installed on same circuit	Verify if one or more lights is of a different series type than the desired series and replace with the desired series type.

Zodiac Pool Systems LLC

2882 Whiptail Loop # 100
Carlsbad, CA 92010, USA
Jandy.com | 1.800.822.7933

Zodiac Pool Systems Canada, Inc.

2-3365 Mainway
Burlington, ON L7M 1A6, Canada
Jandy.ca | 1.800.822.7933

A Fluidra Brand

©2022 Zodiac Pool Systems LLC. All rights reserved. ZODIAC® is a registered trademark of Zodiac International, S.A.S.U., used under license. All other trademarks are the property of their respective owners.

H0622800_REVE



ETL LISTED
CONFORMS TO
UL STD 676
CERTIFIED TO
CAN/CSA C22.2 NO.89



Projecteur DEL subaquatique sans niche Jandy Pro Series

⚠ AVERTISSEMENT

POUR VOTRE SÉCURITÉ, ce produit doit être installé et entretenu par un entrepreneur disposant d'un permis et qui est qualifié en équipement de piscine, délivré par la juridiction dans laquelle le produit est installé lorsque de telles exigences étatiques ou locales existent. L'agent d'entretien doit être un professionnel disposant de suffisamment d'expérience dans l'installation et l'entretien de l'équipement de piscine, afin de s'assurer que toutes les directives du présent manuel sont scrupuleusement respectées. Avant d'installer ce produit, lire et suivre tous les avertissements et toutes les directives qui accompagnent ce produit. Dans le cas contraire, des dommages matériels ou des blessures, possiblement mortelles, peuvent survenir. Une mauvaise installation ou utilisation annule la garantie.

Une mauvaise installation ou utilisation peut engendrer un danger électrique pouvant entraîner des dommages matériels ou des blessures graves, voire mortelles.

À L'ATTENTION DE L'INSTALLATEUR - Ce manuel contient des informations importantes sur l'installation, le fonctionnement et l'utilisation sécuritaire de ce produit. Ces informations doivent être transmises au propriétaire ou à l'utilisateur de cet équipement.

Déclaration de conformité réglementaire de la FCC

Cet appareil est conforme à la section 15 des règles de la FCC.

L'opération est soumise aux deux conditions suivantes :

- (1) Cet appareil ne doit pas causer d'interférences nuisibles, et
- (2) cet appareil doit accepter toute interférence reçue, y compris les interférences susceptibles de provoquer un fonctionnement indésirable.

Ce dispositif doit être installé pour fournir une distance de séparation d'au moins 20 cm par rapport à toutes les personnes et ne doit pas être installé ou utilisé en conjonction avec une autre antenne ou un autre émetteur, sauf conformément aux directives de la FCC concernant les produits multi-émetteurs.

MISE EN GARDE: Des modifications non autorisées par le fabricant qui sont apportées à cet équipement peuvent annuler le droit de l'utilisateur à utiliser cet équipement.

REMARQUE: Cet équipement a été testé et déclaré conforme aux limites d'un appareil numérique de classe B, conformément à la section 15 des règles de la FCC. Ces limites sont conçues pour fournir une protection raisonnable contre les interférences nuisibles dans une installation résidentielle. Cet équipement génère, utilise et peut émettre de l'énergie par radiofréquence et, s'il n'est pas installé et utilisé conformément aux instructions, peut provoquer des interférences nuisibles aux communications radio. Toutefois, il n'y a aucune garantie que des interférences ne se produiront pas dans une installation particulière. Si cet équipement provoque des interférences nuisibles à la réception de la radio ou de la télévision, ce qui peut être déterminé en éteignant et en rallumant l'équipement, l'utilisateur est encouragé à essayer de corriger les interférences en appliquant une ou plusieurs des mesures suivantes:

- Réorienter ou déplacer l'antenne de réception.
- Augmenter l'écart entre l'équipement et le récepteur.
- Connecter l'équipement à une prise sur un circuit différent de celui auquel le récepteur est connecté.
- Consulter le revendeur ou un technicien de radio ou de télévision expérimenté pour obtenir de l'aide.

Table des matières

Section 1. Consignes de sécurité importantes	24
Section 2. Description générale	25
2.1 Aperçu du produit.....	25
2.2 Contenu du produit.....	25
Section 3. Installation du projecteur DEL sans niche Jandy Pro Series	26
3.1 Préparation pour l'installation de l'appareil d'éclairage....	26
3.2 Installation de l'appareil d'éclairage	28
3.3 Installation dans une zone mouillée	29
Section 4. Options de câblage pour le contrôle des projecteurs DEL sans niche Jandy® Pro Series	29
4.1 Câblage à un contrôleur AquaLink®.....	30
4.2 Calibre et longueur du fil	30
4.3 Câblage à un commutateur.....	31
4.4 Installation pour projecteur de douze (12) volts	32
Section 5. Instructions d'utilisation pour projecteur DEL subaquatique sans niche Jandy® Pro Series.....	33
5.1 Synchronisation de l'éclairage.....	33
5.2 Utilisation du projecteur.....	33
Section 6. Instructions d'utilisation pour projecteur DEL subaquatique sans niche de la série S	34
6.1 Synchronisation de l'éclairage pour projecteurs de la série S	34
6.2 Utilisation du projecteur de la série S.....	34
Section 7. Projecteur subaquatique sans niche de la série H Instructions d'utilisation pour projecteur DEL	35
7.1 Synchronisation de l'éclairage pour projecteurs de la série H	35
7.2 Utilisation des projecteurs de la série H.....	36
Section 8. Projecteur DEL sans niche de la série P Instructions d'utilisation du projecteur	37
8.1 Utilisation des projecteurs de la série P	37
Section 9. Hivernage.....	38
Section 10. Guide de dépannage.....	39

Section 1. Consignes de sécurité importantes

CONSIGNES DE SÉCURITÉ IMPORTANTES CONCERNANT LE RISQUE D'INCENDIE, DE DÉCHARGE ÉLECTRIQUE OU DE BLESSURES CORPORELLES

LIRE ET SUIVRE TOUTES LES DIRECTIVES

Lors de l'installation et de l'utilisation de cet équipement électrique, les consignes de sécurité élémentaires doivent toujours être respectées, notamment :

DANGER

RISQUE DE DÉCHARGE ÉLECTRIQUE OU D'ÉLECTROCUTION.

Ce projecteur subaquatique doit être installé par un électricien agréé ou accrédité, conformément au National Electrical Code® et aux normes et règlements locaux applicables. Au Canada, le Code canadien de l'électricité, les règlements et les ordonnances doivent être respectés. Une installation inadéquate créera des risques électriques qui pourraient entraîner la mort ou des blessures corporelles graves aux utilisateurs de la piscine ou du spa, aux installateurs ou à d'autres en raison d'une décharge électrique, en plus de causer des dommages à la propriété. Veuillez lire et suivre les instructions précises ci-dessous.

AVERTISSEMENT

Avant d'installer ce projecteur subaquatique, veuillez lire et suivre tous les avertissements et toutes les directives qui accompagnent ce projecteur. Omettre de suivre les mises en garde et les instructions pourrait entraîner des blessures corporelles graves, la mort ou des dommages à la propriété. Visiter www.zodiacpoolsystems.com pour obtenir des copies gratuites supplémentaires de ces instructions ou appeler le soutien technique Zodiac au 800.822.7933 (É.-U.) ou au 888.647.4004 (Canada)

MISE EN GARDE

Sauf lorsque les projecteurs DEL subaquatiques sans niche Jandy® Pro Series sont installés dans une zone de la piscine qui n'est pas utilisée pour la natation et que la lentille est bien protégée pour que personne n'y touche, le projecteur sera installé sur ou dans un mur de la piscine, avec le dessus de l'ouverture de la lentille n'étant pas inférieur à 10,2 cm (4 po) sous le niveau normal de l'eau de la piscine.

À L'ATTENTION DE L'INSTALLATEUR

Ce manuel contient d'importantes informations sur l'installation, le fonctionnement et l'utilisation sécuritaires de ce produit. Ces informations doivent être transmises au propriétaire ou à l'utilisateur de cet équipement.

CONSERVER CES DIRECTIVES

⚠ AVERTISSEMENT

RISQUE DE DÉCHARGE ÉLECTRIQUE OU D'ÉLECTROCUTION, qui pourrait entraîner des blessures corporelles graves ou la mort. Les projecteurs DEL sans niche Jandy® Pro Series sont disponibles pour une alimentation électrique de 12 volts CA seulement. Pour une prise d'alimentation, n'utilisez qu'une source d'alimentation à basse tension isolée avec une sortie non mise à la masse, évaluée et répertoriée par un laboratoire d'essais reconnu à l'échelle nationale pour une utilisation avec les piscines.

Section 2. Description générale

2.1 Aperçu du produit

Ce manuel fournit des instructions pour l'installation et le remplacement des projecteurs DEL subaquatiques sans niche Jandy Pro Series pour utilisation dans les piscines et spa.

MISE EN GARDE

Les projecteurs DEL subaquatiques sans niche Jandy Pro Series ne sont pas réparables. Par conséquent, il n'y a aucune pièce qui nécessite de l'entretien. Pour prévenir les dommages matériels ou les blessures, aucun entretien ne devrait être fait au projecteur en cas de défectuosité. L'assemblage du projecteur doit être remplacé.

2.2 Contenu du produit



- 1 - Projecteur DEL subaquatique sans niche Jandy Pro Series
- 2 - Couvert protecteur (voir la page 7)
- 3 - Couvert esthétique blanc (voir la page 7)
- 4 - Couvert esthétique gris (voir la page 7)
- 5 - Outil d'installation (voir la page 7)
- 6 - Guide de référence rapide
- 7 - Manuel du propriétaire pour projecteur DEL subaquatique sans niche

Section 3. Installation du projecteur DEL sans niche Jandy Pro Series

AVERTISSEMENT

Risque de décharge électrique ou d'électrocution. Ce projecteur subaquatique doit être installé par un électricien agréé ou accrédité ou par un technicien qualifié en piscine, conformément au National Electrical Code® (au Canada, le Code canadien de l'électricité) et aux normes et règlements locaux applicables. Une installation inadéquate générera des risques électriques qui pourraient entraîner la mort ou des blessures corporelles graves aux utilisateurs de la piscine ou du spa, aux installateurs ou à d'autres en raison d'une décharge électrique, en plus de causer des dommages à la propriété.

Toujours déconnecter l'alimentation du projecteur au disjoncteur avant d'installer ou d'entreprendre l'entretien du projecteur. Omettre de le faire pourrait entraîner la mort ou des blessures corporelles graves à la personne qui en fait l'entretien, aux utilisateurs de la piscine ou du spa ou à d'autres en raison d'une décharge électrique.

REMARQUE : Les projecteurs sans niche Jandy Pro Series sont à basse tension et n'ont pas de pièces métalliques exposées. Par conséquent, ils ne requièrent donc pas un fil de masse ou un fil de connexion.

3.1 Préparation pour l'installation de l'appareil d'éclairage

REMARQUE : L'électricien doit compléter les étapes préparatoires avant d'installer l'appareil d'éclairage. Voir la Figure 1.

Veillez vous assurer que la piscine répond aux exigences du National Electrical Code® (au Canada, le Code canadien de l'électricité) et aux normes et règlements locaux. Avant d'installer le projecteur subaquatique, un électricien agréé ou accrédité doit installer le système électrique de manière à atteindre ou dépasser ces exigences. Certaines des exigences du National Electrical Code auxquelles les systèmes électriques des piscines doivent répondre sont les suivantes :

1. La boîte de jonction ou le transformateur magnétique à basse tension doit être situé à au moins 20,32 cm (8 po) (mesuré à partir de l'intérieur de la partie inférieure de la boîte de jonction ou du transformateur) au-dessus du niveau d'eau MAXIMAL ou au moins 10,2 cm (4 po) au-dessus du niveau du sol ou du pourtour de la piscine, selon ce qui est le plus élevé. La boîte de jonction ou le transformateur magnétique de 12 VCA doit être installé à au moins 1,22 m (4 pi) (121,92 cm (48 po)) du pourtour de la piscine. Voir la Figure 1.
2. À l'aide de coudes à grands rayons de courbure, uniquement pour les courbes, un tuyau de 3,81 cm (1,5 po) doit être installé à travers la poutre d'attache, suivi par un conduit de 2,54 cm (1 po) pour le cordon. Ne pas utiliser des coudes à 90 degrés. Il est fortement recommandé

d'utiliser un tuyau de 3,81 cm (1,5 po) tout le long de la largeur de la poutre d'attache. Toutefois, la longueur minimale pour le projecteur en cours d'installation est indiquée dans le tableau 1.

- Une applique murale ou une buse de refoulement standard de 3,81 cm (1,5 po) en plastique (non fournie) doit être installée de façon à ce que le bord supérieur du projecteur subaquatique soit à au moins 10,2 cm (4 po) sous la surface de l'eau de la piscine. Voir la Figure 1.

REMARQUE : Pour un résultat d'éclairage optimal, nous recommandons d'installer les projecteurs de 30,48 à 45,72 cm (12 à 18 po) sous la ligne de flottaison.

REMARQUE : Pour s'assurer que le système électrique de la piscine répond à toutes les exigences applicables, l'électricien devrait également consulter le service du bâtiment local.

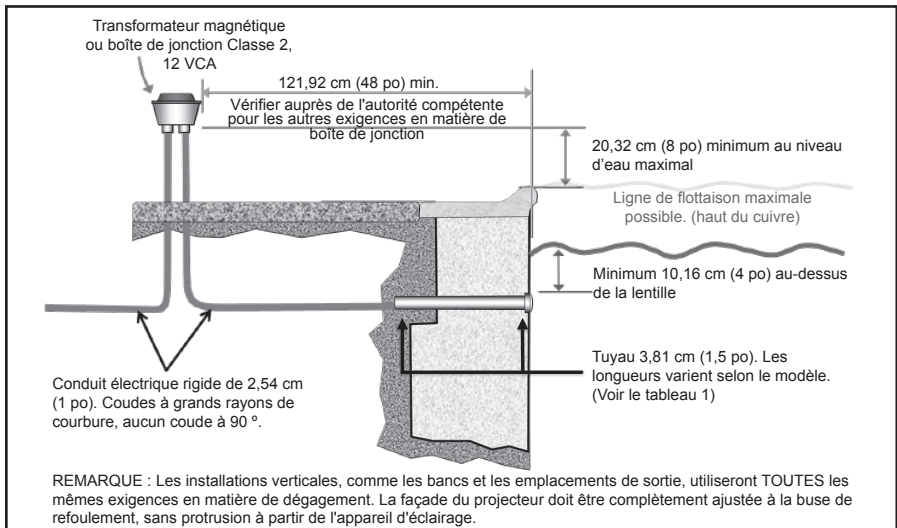


Figure 1. Installation du projecteur DEL Jandy® Pro Series avec raccord en plastique standard de 3,81 cm (1,5 po)

Utiliser le diagramme ci-dessous pour déterminer la longueur adéquate du tuyau à être installé.

WATTS	LONGUEUR MINIMALE DU TUYAU DE 3,81 cm (1,5 po)
6 W.	17,78 cm (7 po)
12 W.	25,4 cm (10 po)
24 W.	25,4 cm (10 po)

Tous les produits énumérés ci-dessus sont disponibles dans une variété de longueurs de cordon. Les longueurs de cordon sont de 15,24 m, 30,48 m et 45,72 m (50, 100 et 150 pi).

Tableau 1. Longueur minimale du tuyau de 3,81 cm (1,5 po) du projecteur DEL Jandy® Pro Series

3.2 Installation de l'appareil d'éclairage

REMARQUE : Effectuer les étapes suivantes *uniquement* lorsque les exigences du système électrique sont atteintes.

1. Pour protéger le projecteur pendant l'installation, veuillez garder le couvert protecteur sur l'appareil.

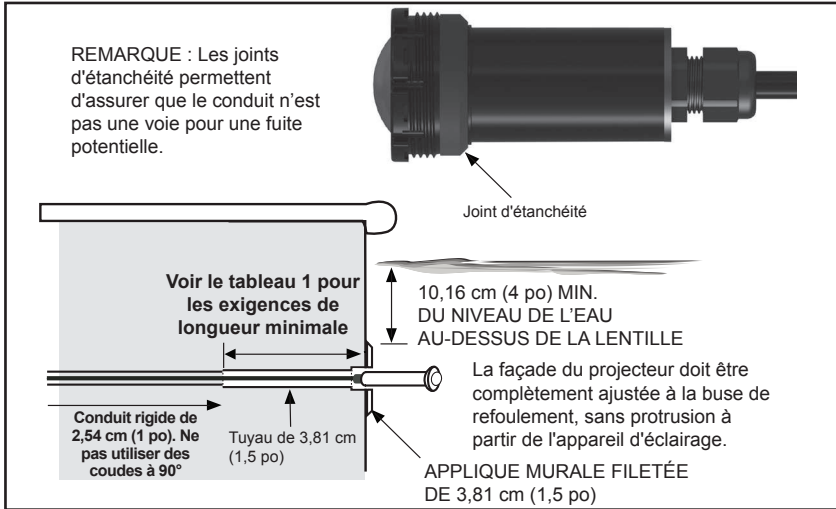
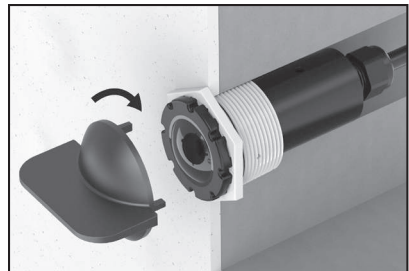


Figure 2. Installation standard avec une applique murale de 3,81 cm (1,5 po) pour piscine

2. Faire glisser le cordon électrique à travers la sortie du conduit de l'applique murale, puis dans le conduit et jusqu'à l'emplacement du transformateur de la piscine. Pour obtenir une boucle de service, veuillez couper le cordon de 45,72 à 60,96 cm (18 à 24 po) au-delà de la longueur requise pour atteindre le transformateur. Tirer l'appareil d'éclairage jusqu'à ce qu'il soit bien serré contre l'applique murale.
3. Lorsque le projecteur a été passé dans l'applique, enlever le couvert protecteur.
4. Si désiré, installer le couvercle esthétique.
5. Pour faciliter le filetage, appliquer un lubrifiant à la silicone Teflon™ aux filets.

REMARQUE : Lorsqu'un raccord MIP de 3,81 cm (1,5 po) est utilisé à l'arrière d'une applique murale SP-1022 ou SP-1408, l'intérieur du Spears et du Dura MIP est trop petit pour être utilisé avec les projecteurs DEL sans niche Jandy® Pro Series.



6. À l'aide de l'outil d'installation inclus, fileter le projecteur à l'intérieur de l'applique murale jusqu'à ce qu'il soit bien serré. La façade du projecteur doit être complètement ajustée à la buse de refoulement. Lorsque les travaux seront terminés, veuillez remettre au moins une (1) clé au propriétaire de la piscine.

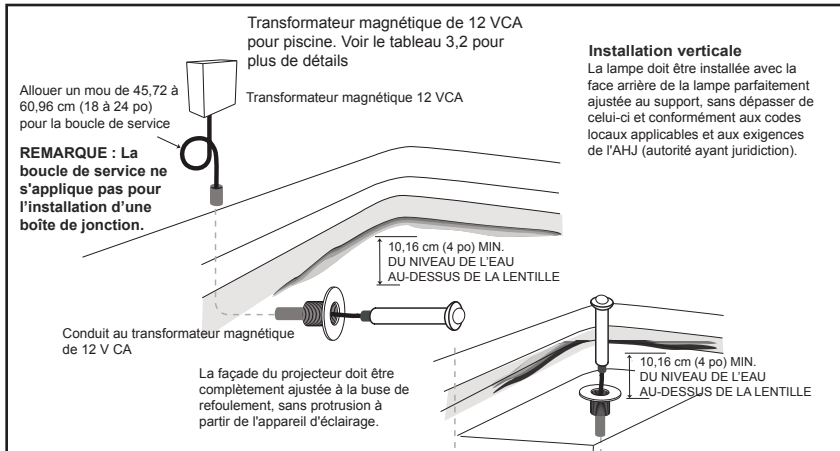


Figure 3. Installation standard avec une applique murale de 3,81 cm (1,5 po) pour piscine

3.3 Installation dans une zone mouillée

Pour un éclairage dans une zone mouillée, utiliser les modèles de 6 watts SEULEMENT. Sauf lorsque le projecteur est bien protégé, il doit être installé dans des zones qui ne sont pas sujettes à des contacts accidentels par des personnes, des animaux, des véhicules et de la circulation piétonne.

Section 4. Options de câblage pour le contrôle des projecteurs DEL sans niche Jandy® Pro Series

REMARQUE : Lors du calcul de la tension d'alimentation au transformateur, toujours tenir compte de la longueur du câble. La course maximale de service entre le transformateur et les projecteurs ne devrait pas dépasser une longueur de 45,72 m (150 pi), incluant l'utilisation d'une boîte de jonction ou non.

Dans la mesure permise par les codes d'installation locaux en vigueur dans le territoire de compétence où l'installation sera faite et la capacité de l'équipement électrique, plusieurs projecteurs Jandy Pro Series peuvent être contrôlés à partir d'un seul commutateur et transformateur magnétique de 12 VCA, de sorte que leurs couleurs puissent être synchronisées.

REMARQUE IMPORTANTE : Pour que la synchronisation puisse s'effectuer, tous les appareils d'éclairage doivent être joints au même transformateur ou commutateur. L'utilisation d'un fil monobrin versus un fil multibrin et un jeu de barres (barres omnibus) de raccordement est fortement recommandée.

4.1 Câblage à un contrôleur AquaLink®

Les projecteurs DEL sans niche Jandy Pro Series peuvent être contrôlés par un contrôleur AquaLink. Raccorder le transformateur qui alimente les projecteurs à un des relais auxiliaires de l'AquaLink.

Voir la Figure 4 pour connecter les projecteurs DEL sans niche Jandy Pro Series au centre d'alimentation électrique.

4.2 Calibre et longueur du fil

MISE EN GARDE

Les projecteurs DEL subaquatiques sans niche Jandy® Pro Series sont des appareils d'éclairage à faible tension. Un calibre de fil et une longueur de fil inadéquats peuvent nuire à la performance de ces produits. Veuillez suivre les lignes directrices ci-dessous pour connaître la bonne utilisation et la performance optimale des projecteurs.

La tension est déterminée par le niveau de tension mesuré au jeu de barre, là où le transformateur et les cordons sont connectés.

REMARQUE : La consommation énergétique de chaque mode de couleur est légèrement différente

Projecteurs de 6 W. et 12 W. : tension min./max. par longueur de cordon		
Longueur du cordon	Tension min.	Tension max.
15,24 m (50 pi)	9,4 VCA	12,4 VCA
30,48 m (100 pi)	10,7 VCA	13,2 VCA
45,72 m (150 pi)	11,82 VCA	13,8 VCA

Projecteurs de 24 W. : tension min./max. par longueur de cordon		
Longueur du cordon	Tension min.	Tension max.
15,24 m (50 pi)	10,34 VCA	12,56 VCA
30,48 m (100 pi)	10,9 VCA	13,5 VCA
45,72 m (150 pi)	11,43 VCA	14,1 VCA

Tableau 2. Niveaux de tension min./max. du projecteur DEL Jandy® Pro Series

⚠ AVERTISSEMENT

RISQUE DE DÉCHARGE ÉLECTRIQUE OU D'ÉLECTROCUTION, qui pourrait entraîner des blessures corporelles graves ou la mort. Un disjoncteur différentiel de fuite à la terre (DDFT) pour les transformateurs de 120 volts devrait être utilisé, si requis par le fabricant du transformateur, par les codes locaux applicables ou par l'autorité compétente. Lorsqu'un DDFT est utilisé, les conducteurs du côté demande du circuit ne doivent pas être installés dans les conduits, boîtes ou enceintes contenant d'autres conducteurs, à moins que les conducteurs supplémentaires soient également protégés par un DDFT. Consulter les codes locaux pour tous les détails.

⚠ AVERTISSEMENT

RISQUE DE DÉCHARGE ÉLECTRIQUE OU D'ÉLECTROCUTION, qui pourrait entraîner des blessures corporelles graves ou la mort. Les projecteurs DEL sans niche Jandy Pro Series sont disponibles pour une alimentation électrique de 12 volts CA seulement. Pour une prise d'alimentation, n'utilisez qu'une source d'alimentation à basse tension isolée avec une sortie non mise à la masse, évaluée et répertoriée par un laboratoire d'essais reconnu à l'échelle nationale pour une utilisation avec les piscines.

4.3 Câblage à un commutateur

Les projecteurs DEL sans niche Jandy® Pro Series peuvent être câblés à un commutateur, afin de les faire fonctionner manuellement. Voir la Figure 4 pour connecter les projecteurs DEL au commutateur.

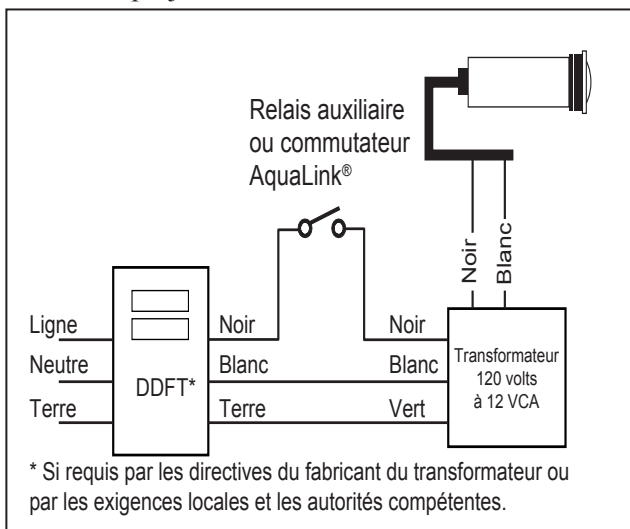


Figure 4. Câblage des projecteurs DEL subaquatiques sans niche Jandy Pro Series

4.4 Installation pour projecteur de douze (12) volts

Un transformateur magnétique de 12 à 14 volts CA doit être utilisé pour alimenter tous les projecteurs de 12 volts.

REMARQUE Pour une performance optimale, ne pas dépasser le facteur de charge spécifié dans les instructions incluses avec le transformateur.

Afin d'assurer une sécurité maximale, n'utiliser qu'un transformateur magnétique Classe 2 pouvant fournir un voltage de 12 à 14 volts CA pour alimenter tous les projecteurs de 12 volts. Le transformateur doit être répertorié ou homologué par un laboratoire d'essais reconnu à l'échelle nationale pour l'usage prévu.

⚠ MISE EN GARDE

Pour prévenir le risque d'incendie pouvant entraîner des dommages matériels et pour s'assurer d'une performance optimale, ne pas excéder le facteur de charge indiqué dans les instructions fournies par le fabricant du transformateur.

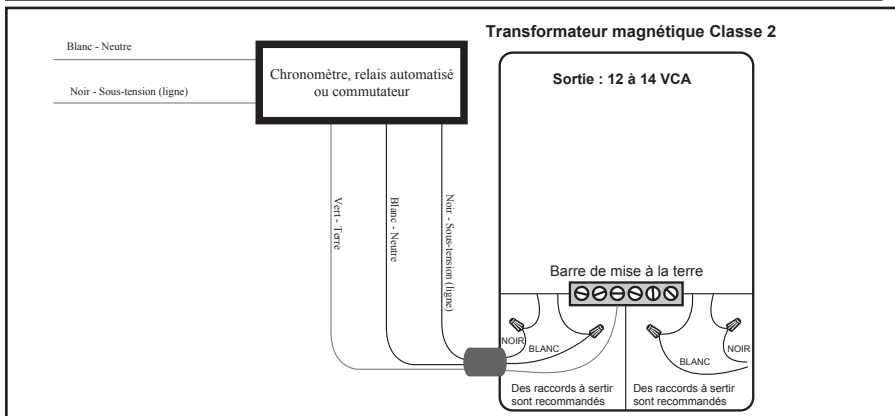


Figure 5. Câblage des projecteurs DEL à un transformateur magnétique de 12 volts

REMARQUE Un gradateur magnétique à basse tension ou un relais d'atténuation peut être utilisé lorsque des projecteurs sans niche, BLANC SEULEMENT, Jandy Pro Series sont installés. L'intensité des projecteurs de couleur Jandy Pro Series n'est PAS RÉGLABLE et les projecteurs ne sont PAS COMPATIBLES avec les gradateurs ou les relais d'atténuation.

REMARQUE Les sections de 5 à 8 s'appliquent aux projecteurs de couleur seulement. Pour que la synchronisation puisse s'effectuer, tous les appareils d'éclairage doivent être joints au même transformateur ou commutateur.

Section 5. Instructions d'utilisation pour projecteur DEL subaquatique sans niche Jandy® Pro Series

5.1 Synchronisation de l'éclairage

1. **ALLUMER** le projecteur. Si le projecteur a été éteint pendant 7 secondes ou plus, il s'allumera avec la dernière couleur sélectionnée.
2. Pour synchroniser plusieurs projecteurs au même mode de couleur, il sera nécessaire de réinitialiser jusqu'au début de la séquence du mode de couleur. Lorsque les projecteurs sont **ALLUMÉS**, les **ÉTEINDRE** pendant 5 secondes, puis les **RALLUMER**. Tous les projecteurs se réinitialiseront au mode de couleur blanc alpin. Si les projecteurs ne sont pas tous au mode de couleur blanc alpin, ils n'ont pas été synchronisés. Répéter l'étape 2.

5.2 Utilisation du projecteur

3. Pour modifier le mode de couleur, **ÉTEINDRE** le projecteur pendant 1 à 3 secondes. **ÉTEINDRE** et **ALLUMER** le projecteur jusqu'à ce que le mode de couleur désiré soit atteint. Voir le tableau 3 pour la séquence du mode de couleur.

Exemple : Si vous avez suivi l'étape 3 et que vous vous trouvez maintenant à la couleur bleu ciel et que vous voulez que les projecteurs soient de la couleur violet, ceux-ci doivent donc être éteints et allumés à 7 reprises pour obtenir cette couleur.

Ordre de la séquence	Modes de couleur
1	Blanc alpin
2	Bleu ciel
3	Bleu cobalt
4	Bleu Caraïbes
5	Vert printemps
6	Vert émeraude
7	Rose émeraude
8	Magenta
9	Violet
10	Éclaboussure de couleurs lente
11	Éclaboussure de couleurs rapide
12	L'Amérique la belle
13	Mardi gras
14	Disco tech

Tableau 3. Séquence du mode de couleur

4. Les projecteurs disposent de mémoires. Si les projecteurs sont éteints pendant 7 secondes ou plus et qu'ils sont rallumés, ils passeront au dernier mode de couleur sélectionné avant d'être éteints (étape 1 énumérée

ci-dessus). Cette fonction vous permet de garder vos projecteurs à votre mode de couleur favori, et ce, chaque fois qu'ils sont rallumés.

REMARQUE Pour synchroniser les couleurs de plusieurs systèmes de projecteurs DEL subaquatiques sans niche Jandy® Pro Series reliés à des commutateurs distincts, effectuer les étapes ci-dessus simultanément sur leur commutateur. Si activés par le même commutateur, tous les projecteurs DEL subaquatiques sans niche Jandy Pro Series se synchroniseront automatiquement. Aucun autre accessoire n'est requis.

Section 6. Instructions d'utilisation pour projecteur DEL subaquatique sans niche de la série S

6.1 Synchronisation de l'éclairage pour projecteurs de la série S

1. **ALLUMER** le projecteur et attendre pendant **20 secondes**. Les projecteurs s'allumeront en blanc pendant 10 à 15 secondes et reviendront au mode de couleur sélectionné avant d'être éteints.
2. Pour synchroniser les projecteurs, les éteindre et attendre de 6 à 9 secondes, puis les rallumer. Vous devriez voir trois clignotements rapides (rouge, vert et bleu). Ensuite, tous les projecteurs se réinitialiseront au premier mode de couleur (Île au trésor).
3. (A) Si vous n'apercevez pas trois clignotements rapides, les projecteurs ne se sont pas réinitialisés.
(B) Si vous n'attendez pas assez longtemps (moins de 6 secondes), les projecteurs passeront au prochain mode de couleur. Ils ne sont pas synchronisés, puisque chaque projecteur peut se trouver à un mode de couleur différent.
(C) Si vous attendez trop longtemps (plus de 9 secondes), ils seront tous blanc pendant 10 à 15 secondes, comme s'ils étaient synchronisés. TOUTEFOIS, AU BOUT de 15 secondes, ils passeront à leur précédent mode de couleur (donc, les projecteurs ne sont toujours pas synchronisés).
4. Répéter les étapes 1 à 3 jusqu'à ce que les projecteurs soient synchronisés.

6.2 Utilisation du projecteur de la série S

1. Pour passer au mode de couleur suivant, éteindre les projecteurs pendant 1 à 2 secondes et rallumer. Répéter jusqu'à ce que le mode de couleur désiré soit atteint.

Exemple : Si vous vous trouvez maintenant à la couleur vert constant et que vous voulez que les projecteurs soient de couleur blanche, ceux-ci doivent donc être éteints et allumés à 7 reprises pour obtenir la couleur blanc Clair de Lune.

Ordre de la séquence	Modes de couleur pour projecteurs de la série S
1	Île au trésor/changement de couleur lent
2	Blanc Clair de Lune/blanc constant
3	Bleu SAVI/bleu constant
4	Mer des Sargasses/vert constant
5	Lagon bleu/bleu clair constant
6	Rose passion/bleu clair constant
7	Teintes des Caraïbes/bleu et vert, changement de couleur lent
8	Copacabana/magenta, jaune et orange, changement de couleur lent
9	Soirée de danse/effet stroboscopique multicolore

Tableau 4. Séquence du mode de couleur pour projecteurs de la série S

2. Les projecteurs disposent de mémoires. Si les projecteurs sont éteints pendant 10 secondes ou plus, lorsqu'ils seront rallumés, ils seront de couleur blanche pendant environ 10 à 15 secondes et par la suite, passeront au dernier mode de couleur sélectionné avant d'être éteints. Cette fonction vous permet de garder vos projecteurs à votre mode de couleur favori, et ce, chaque fois qu'ils sont rallumés.

REMARQUE Pour synchroniser les couleurs de plusieurs systèmes de projecteurs DEL subaquatiques sans niche de la série S reliés à des commutateurs distincts, effectuer les étapes ci-dessus simultanément sur leur commutateur. Si activés par le même commutateur, tous les projecteurs DEL subaquatiques sans niche de la série S se synchroniseront automatiquement. Aucun autre accessoire n'est requis.

Section 7. Projecteur subaquatique sans niche de la série H Instructions d'utilisation pour projecteur DEL

7.1 Synchronisation de l'éclairage pour projecteurs de la série H

1. **ALLUMER** le projecteur. Les projecteurs s'allumeront en blanc pendant 15 secondes et reviendront au mode de couleur sélectionné avant d'être éteints.
2. Les projecteurs de la série H peuvent être utilisés seuls ou ensemble, en fonction de l'installation initiale de vos projecteurs. Tous les projecteurs de la série H reliés au même transformateur de 12 volts ou au commutateur, synchroniseront les 17 modes de couleur. S'ils se désynchronisent, ouvrir et fermer le commutateur. Attendre entre 6 à 9 secondes et ouvrir le commutateur à nouveau. Ils devraient maintenant tous être à la position n° 1.

7.2 Utilisation des projecteurs de la série H

1. Pour passer au mode de couleur suivant, éteindre les projecteurs pendant 1 à 3 secondes et rallumer. Répéter jusqu'à ce que le mode de couleur désiré soit atteint.

Exemple : Si vous vous trouvez maintenant à la couleur bleu foncé et que vous voulez que les projecteurs soient de couleur blanche, ceux-ci doivent donc être éteints et allumés à 5 reprises pour obtenir la couleur blanche.

Ordre de la séquence	Modes de couleur (émulation Universal Hayward® ColorLogic®)
1	Spectacle de couleurs – Salon vaudou
2	Mer bleue profonde
3	Bleu royal
4	Ciels d'après-midi
5	Vert aqua
6	Émeraude
7	Nuage blanc
8	Rouge chaleureux
9	Flamant rose
10	Violet vif
11	Sangria pourpre foncée/rouge
12	Spectacle de couleurs – Crépuscule
13	Spectacle de couleurs – Tranquillité
14	Spectacle de couleurs – Pierre précieuse
15	Spectacle de couleurs – États-Unis
16	Spectacle de couleurs – Mardi gras
17	Spectacle de couleurs – Cabaret frais

Tableau 5. Séquence du mode de couleur pour projecteurs de la série H

2. Les projecteurs disposent de mémoires. Si les projecteurs sont éteints pendant 60 secondes ou plus, lorsqu'ils seront rallumés, ils seront de couleur blanche pendant environ 15 secondes et par la suite, passeront au dernier mode de couleur sélectionné avant d'être éteints. Cette fonction vous permet de garder vos projecteurs à votre mode de couleur favori, et ce, chaque fois qu'ils sont rallumés.
3. Les projecteurs DEL sans niche de couleur de la série H sont spécifiquement conçus pour fonctionner avec les contrôles Hayward® et les systèmes Zodiac® Rév. T.2 RS, pour passer ou accéder directement aux couleurs et aux programmes. Veuillez vous référer aux contrôles Hayward et Zodiac Series pour les directives d'installation et opérationnelles.

REMARQUE Les projecteurs de la série H ne doivent pas, SOUS AUCUN PRÉTEXTE, être utilisés avec d'autres projecteurs. Le choix de couleurs, de spectacles et de fonctionnement est tout à fait différent.

Section 8. Projecteur DEL sans niche de la série P

Instructions d'utilisation du projecteur

8.1 Utilisation des projecteurs de la série P

1. **ALLUMER** le projecteur et attendre pendant **20 secondes**. Les projecteurs s'allumeront en blanc pendant quelques secondes et passeront au mode de couleur sélectionné avant d'être éteints.
2. Les projecteurs DEL sans niche de couleur de la série P sont spécifiquement conçus pour fonctionner avec les contrôles Pentair®, les contrôles Jandy AquaLink et Pentair IntelliBrite®, pour passer ou accéder directement aux couleurs et aux programmes SANS devoir basculer entre les séquences MARCHÉ/ARRÊT. Veuillez vous référer au manuel du contrôleur pour les directives d'installation et opérationnelles.

REMARQUE Lorsque les contrôles ci-dessus sont utilisés, lors de la programmation de la fonction d'éclairage, le choix de sélection général offert et qui devrait être utilisé est Pentair IntelliBrite. Les couleurs et le nom des spectacles seront légèrement différents, mais toutes les opérations seront bonnes.

REMARQUE Les projecteurs de la série P ne doivent pas, **SOUS AUCUN PRÉTEXTE**, être utilisés avec d'autres projecteurs. Le choix de couleurs, de spectacles et de fonctionnement est tout à fait différent.

3. Pour passer à un autre mode de couleur, **ÉTEINDRE ET ALLUMER** les projecteurs le nombre de fois requis, comme indiqué ci-dessous.

Exemple : Si vous vous trouvez maintenant à la couleur bleu (8) et que vous voulez que les projecteurs soient de couleur magenta (12), ceux-ci doivent donc être éteints et allumés à douze (12) reprises pour obtenir la couleur magenta. Pour passer à Vieille école, éteindre et allumer une (1) fois.

AVERTISSEMENT

Au cours du cycle MARCHÉ/ARRÊT, avant que le mode sélectionné soit affiché, il n'y aura aucune illumination. Pendant ce temps, la piscine ou le spa ne sera pas éclairé. Par conséquent, des précautions doivent être prises pour prévenir des accidents. Omettre de respecter cet avertissement pourrait entraîner des blessures graves ou la mort aux utilisateurs de la piscine ou du spa.

Cycle Numéro	Modes de couleur pour projecteurs de la série P (émulation Pentair® IntelliBrite®)
1	Mode SAm®
2	Mode fête
3	Mode romantique
4	Mode Caraïbes
5	Mode américain
6	Coucher du soleil californien
7	Mode royal
8	Bleu
9	Vert
10	Rouge
11	Blanc
12	Magenta
13*	<i>Conserver : sauvegarde le choix actuel de couleurs au cours d'un spectacle de couleurs</i>
14*	<i>Rappel : ouvre la dernière sélection sauvegardée et sélectionnée de couleurs à la position n° 13</i>
* Ces 2 modes sont spécifiquement utilisés avec les systèmes de contrôles améliorés et non pas avec les opérations manuelles	

Tableau 6. Séquence du mode de couleur pour projecteurs de la série P

4. Les projecteurs disposent de mémoires. Si les projecteurs sont éteints pendant 5 à 10 secondes, lorsqu'ils seront rallumés, ils seront de couleur blanche pendant quelques secondes et par la suite, passeront au dernier mode de couleur sélectionné avant d'être éteints. Cette fonction vous permet de garder vos projecteurs à votre mode de couleur favori, et ce, chaque fois qu'ils sont rallumés.

Section 9. Hivernage

En hiver, ne pas garder le niveau d'eau au même niveau que celui du projecteur. Veuillez vous assurer que le niveau de l'eau se trouve à au moins 10,16 cm (4 po) ou plus au-dessus ou en dessous du projecteur, en fonction des autres besoins d'hivernage de la piscine. Consulter un professionnel local de la piscine pour le bon hivernage. EN AUCUN CAS de l'eau ne doit être enlevée de la piscine sans au préalable avoir vérifié le niveau phréatique.

Section 10. Guide de dépannage

Pour des suggestions, veuillez utiliser la résolution de problèmes dans le tableau suivant.

Symptôme	Problème	Mesure corrective
Tous les projecteurs demeurent éteints	Aucune alimentation électrique aux projecteurs	Vérifier la source d'alimentation de 120 VCA au transformateur. Vérifier la sortie de 12 VCA au transformateur. Vérifier ou réinitialiser le DDFT. S'assurer qu'une tension de 120 volts n'a pas été utilisée lors de l'installation. Si tel est le cas, c'est certain qu'il y a des dommages et ils ne SONT PAS GARANTIS.
Un ou plusieurs projecteurs sont faibles, clignotent ou ne fonctionnent pas	Mauvaise connexion ou mauvais calibre de fil	Séparer chaque projecteur et relier indépendamment 12 V à un seul projecteur. Répéter cette procédure pour chaque projecteur. Si la boîte de jonction est utilisée, vérifier que la connexion du cordon du projecteur est bonne. S'assurer que le bon calibre de fil est utilisé entre le transformateur et la boîte de jonction.
Les projecteurs de couleur ne sont pas synchronisés	Mauvaise alimentation en tension ou mauvaise connexion au projecteur	S'assurer que les bonnes connexions au fil sont atteintes pour les projecteurs qui ne sont pas synchronisés. Réinitialiser tous les projecteurs à la couleur blanche en les ÉTEIGNANT pendant cinq (5) secondes, puis en les RALLUMANT
Le projecteur clignote	Le projecteur est trop chaud	S'assurer que le projecteur se trouve sous de l'eau qui n'est pas supérieure à une température de 40 °C (104 °F)
Différentes couleurs de différents projecteurs	Projecteurs de couleur de différentes séries installés sur le même circuit	Voir si un ou plusieurs projecteurs sont d'une série différente que la série désirée et remplacer avec le type de série désiré.

Zodiac Pool Systems LLC

2882 Whiptail Loop # 100
Carlsbad, CA 92010, USA
Jandy.com | 1.800.822.7933

Zodiac Pool Systems Canada, Inc.

2-3365 Mainway
Burlington, ON L7M 1A6, Canada
Jandy.ca | 1.800.822.7933



HOMOLOGUÉ ETL
CONFORME À LA NORME
UL STD 676

HOMOLOGUÉ
CAN/CSA C22.2 NO.89

Une marque Fluidra

©2022 Zodiac Pool Systems LLC. Tous droits réservés. ZODIAC® est une marque de commerce déposée de Zodiac International, S.A.S.U., et utilisée sous licence. Toutes les autres marques sont la propriété de leurs propriétaires respectifs.

H0622800_REVE



Jandy Pro Series

Luz LED sumergida sin nicho

! ADVERTENCIA

PARA SU SEGURIDAD: La instalación y el servicio técnico de este producto deben estar a cargo de un contratista calificado y matriculado para trabajar con equipamientos para piscinas en la jurisdicción en la que se instalará el producto, donde existan tales requisitos estatales o locales. El técnico de servicio debe ser profesional y contar con experiencia suficiente en instalación y mantenimiento de equipamientos para piscinas, para que todas las instrucciones de este manual se puedan seguir exactamente. Antes de instalar este producto, lea y siga todos los avisos de advertencia y las instrucciones que se proporcionan con el producto. Si no se siguen los avisos de advertencia ni las instrucciones, es posible que se produzcan daños materiales, lesiones personales o la muerte. Si la instalación o la operación se llevan a cabo incorrectamente, la garantía se anulará.

La instalación y la operación inadecuadas pueden generar peligros eléctricos no deseados que pueden provocar lesiones graves, daños materiales o la muerte.

ATENCIÓN, INSTALADOR: Este manual contiene información importante acerca de la instalación, la operación y la utilización seguras de este producto. Esta información debe ser entregada al dueño u operador de este equipo.

Declaración de cumplimiento regulatorio de FCC

Este dispositivo cumple con la sección 15 de las Normas de la FCC. El funcionamiento está sujeto a las siguientes dos condiciones:

- (1) Este dispositivo no puede causar interferencias dañinas y
- (2) este dispositivo debe aceptar cualquier interferencia recibida, incluidas las que puedan causar un funcionamiento no deseado.

Este dispositivo debe instalarse para proporcionar una distancia de separación de al menos 20 cm de todas las personas, y no debe colocarse ni utilizarse junto con ninguna otra antena o transmisor, excepto según lo especificado en las pautas de productos de transmisores múltiples de la FCC.

AVISO: Las modificaciones realizadas a este equipo, que no están autorizadas por el fabricante, pueden anular la autoridad del usuario para operar este equipo.

NOTA: Tras probar este dispositivo, se determinó que cumple con los límites para un dispositivo digital de Clase B, según la sección 15 de las Normas de la FCC. Dichos límites están diseñados para proporcionar una protección razonable contra interferencias perjudiciales en una instalación residencial. Este equipo genera, usa y puede irradiar energía de radiofrecuencia y, si no se instala o utiliza según las instrucciones, puede causar interferencia dañina a las comunicaciones por radio. Sin embargo, no hay garantía de que no se produzcan interferencias en una instalación específica. Si este equipo causa interferencia dañina en la recepción de radio o televisión, lo cual se puede determinar encendiendo y apagando el equipo, se recomienda al usuario que intente corregir la interferencia mediante una o más de las siguientes medidas:

- Reorientar o reubicar la antena receptora.
- Aumentar la separación entre el equipo y el receptor.
- Conecte el equipo a una toma de corriente en un circuito diferente al que está conectado el receptor.
- Consultar con el distribuidor o con un técnico de radio/TV experimentado para obtener ayuda.

Contenido

Sección 1. Instrucciones importantes de seguridad	44
Sección 2. Descripción general	45
2.1 Aspectos generales del producto	45
2.2 Contenido del producto	45
Sección 3. Instalación de la luz LED sin nicho Jandy Pro Series	46
3.1 Preparación del accesorio de luz para su instalación	46
3.2 Instalación del accesorio de luz	48
3.3 Instalaciones en áreas húmedas	49
Sección 4. Opciones de cableado par controlar las luces LED sin nicho Jandy® Pro Series	49
4.1 Cableado a un controlador AquaLink®	50
4.2 Calibre y largo de los cables	51
4.3 Cableado a un interruptor	51
4.4 Instalación de doce (12) voltios	51
Sección 5. Instrucciones operativas de las luces LED sumergidas sin nicho Jandy® Pro Series	52
5.1 Sincronización de las luces	52
5.2 Cómo operar la luz	53
Sección 6. Instrucciones operativas de las luces LED sumergidas sin nicho S-Series	54
6.1 Sincronización de las luces S-Series	54
6.2 Cómo operar las luces S-Series	54
Sección 7. Instrucciones de operación de las luces LED sumergidas sin nicho H-Series	55
7.1 Sincronización de las luces H-Series	55
7.2 Cómo operar las luces H-Series	55
Sección 8. Instrucciones operativas de las luces LED sumergidas sin nicho P-Series	57
8.1 Cómo operar las luces P-Series	57
Sección 9. Preparación para el invierno	58
Sección 10. Resolución de problemas	59

Sección 1. Instrucciones importantes de seguridad

INSTRUCCIONES IMPORTANTES DE SEGURIDAD EN RELACIÓN CON EL RIESGO DE INCENDIOS, CHOQUE ELÉCTRICO O LESIONES PERSONALES

LEA Y SIGA ESTAS INSTRUCCIONES

Cuando se instale y utilice este equipo eléctrico, siempre se deberán seguir las siguientes precauciones básicas de seguridad.

PELIGRO

RIESGO DE CHOQUE ELÉCTRICO O ELECTROCUCIÓN. Un electricista matriculado o certificado debe instalar esta luz sumergida en conformidad con National Electrical Code® y los códigos y las ordenanzas locales aplicables. En Canadá, deben cumplirse Canadian Electrical Code y todos los códigos y ordenanzas locales aplicables. La instalación incorrecta creará un peligro eléctrico, que podría resultar en la muerte o en lesiones graves a los usuarios de la piscina o del spa, a los instaladores, o a terceros debido a un choque eléctrico, y también puede producir daños materiales. Lea y siga las instrucciones específicas a continuación.

ADVERTENCIA

Antes de instalar esta luz sumergida, lea y siga todos los avisos de advertencia y las instrucciones que se proporcionan con ella. Si no se siguen las advertencias de seguridad y las instrucciones, es posible que se produzcan lesiones graves, muerte, o daños materiales. Visite www.zodiacpoolsystems.com para obtener copias adicionales gratuitas de estas instrucciones, o llame al soporte técnico de Zodiac al 800.822.7933 (EE. UU.) o 888.647.4004 (Canadá)

PRECAUCIÓN

Excepto cuando las luces LED sumergidas sin nicho Jandy® Pro Series se instalan en un área de la piscina que no se usa para nadar y la lente está adecuadamente protegida para evitar que cualquier persona entre en contacto con ella, la luz debe instalarse en o sobre una pared de la piscina, con la parte superior de la apertura de la lente a no menos de 4 pulgadas (102 mm) por debajo del nivel normal de agua de la piscina.

ATENCIÓN, INSTALADOR

Este manual contiene información importante acerca de la instalación, la operación y la utilización seguras de este producto. Esta información debe proporcionarse al propietario/operador de este equipo.

GUARDE ESTAS INSTRUCCIONES

⚠ ADVERTENCIA

RIESGO DE CHOQUE ELÉCTRICO O ELECTROCUCIÓN, que pueden resultar en lesiones graves o en la muerte. Las luces LED sin nicho Jandy® Pro Series solo están disponibles para energía de CA de 12 voltios. Para la conexión de suministro, use solo una fuente de alimentación de bajo voltaje aislante con salida sin conexión a tierra, evaluada por un NRTL e incluida en la lista de un NRTL para su uso en piscinas.

Sección 2. Descripción general

2.1 Aspectos generales del producto

Este manual proporciona instrucciones para instalar y reemplazar las luces LED sumergidas sin nicho Jandy Pro Series para su uso en piscinas y spas.

PRECAUCIÓN

Las luces LED sumergidas sin nicho Jandy Pro Series no pueden recibir servicio y por lo tanto no contienen piezas que puedan recibir servicio. Para evitar riesgos de daños materiales y lesiones, no debe intentarse el servicio en la luz si hay fallas. Debe reemplazarse todo el conjunto de la luz.

2.2 Contenido del producto



- 1 - Luz LED sumergida sin nicho Jandy Pro Series
- 2 - Cubierta de protección (consulte la página 7)
- 3 - Cubierta cosmética blanca (consulte la página 7)
- 4 - Cubierta cosmética gris (consulte la página 7)
- 5 - Herramienta de instalación (consulte la página 7)
- 6 - Guía de referencia rápida
- 7 - Manual del propietario de la luz LED sumergida sin nicho

Sección 3. Instalación de la luz LED sin nicho Jandy Pro Series

ADVERTENCIA

Riesgo de choque eléctrico o electrocución. Un electricista matriculado o certificado o una persona calificada en el servicio de piscinas deben instalar esta luz sumergida en conformidad con National Electrical Code® (Canadian Electrical Code, en Canadá) y todos los códigos y las ordenanzas locales aplicables. La instalación incorrecta creará un peligro eléctrico, que podría resultar en la muerte o en lesiones graves a los usuarios de la piscina o del spa, a los instaladores o a terceros debido a un choque eléctrico, y también puede producir daños materiales.

Desconecte siempre la energía a la luz en el disyuntor antes de instalar o dar servicio a la luz. Si no lo hace, la persona de servicio, los usuarios de la piscina o del spa, o terceros podrían morir o sufrir lesiones graves debido a un choque eléctrico.

NOTA: Las luces sin nicho Jandy Pro Series son de bajo voltaje y no tienen metal expuesto, y por lo tanto no requieren un cable de conexión a tierra ni equipotencial por separado.

3.1 Preparación del accesorio de luz para su instalación

NOTA: El electricista debe llevar a cabo pasos de preparación antes de instalar el accesorio de luz. Consulte la figura 1.

Verifique que la piscina cumpla los requisitos de la versión actual de National Electrical Code® (Canadian Electrical Code, en Canadá) y todos los códigos y las ordenanzas locales. Un electricista matriculado o certificado debe instalar el sistema eléctrico para satisfacer o exceder dichos requisitos antes de instalar la luz sumergida. Algunos requisitos de National Electrical Code que los sistemas eléctricos de las piscinas deben cumplir son los siguientes:

1. La caja de conexiones o el transformador magnético de bajo voltaje deben estar instalados a al menos ocho (8) pulgadas (medidas desde la parte interior del fondo de la caja de conexiones o del transformador) por arriba del nivel de agua MÁXIMO, O a al menos cuatro (4) pulgadas por arriba del nivel del suelo o de la plataforma de la piscina, el que sea mayor. La caja de conexiones o el transformador magnético de 12 VCA deben instalarse también a al menos cuarenta y ocho (48) pulgadas (4 pies) del borde de la piscina. Consulte la Figura 1.
2. Debe instalarse un tubo de 1,5" a través de la viga de unión, seguido de un conducto de 1" para el cable, con codos de radio amplio solo para las curvas. No use codos de 90 grados. Se recomienda con énfasis

el uso de tubo de 1,5” durante todo el ancho de la viga de unión; sin embargo, el largo mínimo para la luz específica que se está instalando se especifica en la tabla 1.

3. Debe instalarse un conector estándar de pared plástica/retorno de 1,5” para que el borde superior de la lente de la luz sumergida esté a al menos 4 pulgadas (10,2 cm) por debajo de la superficie del agua en la piscina. Consulte la Figura 1.

NOTA: Para resultados óptimos de iluminación, se recomienda colocar las luces a 12-18” por debajo de la línea de agua.

NOTA: Para asegurarse de que el sistema eléctrico de la piscina cumpla todos los requisitos aplicables, el electricista debe consultar también al departamento de construcción local.

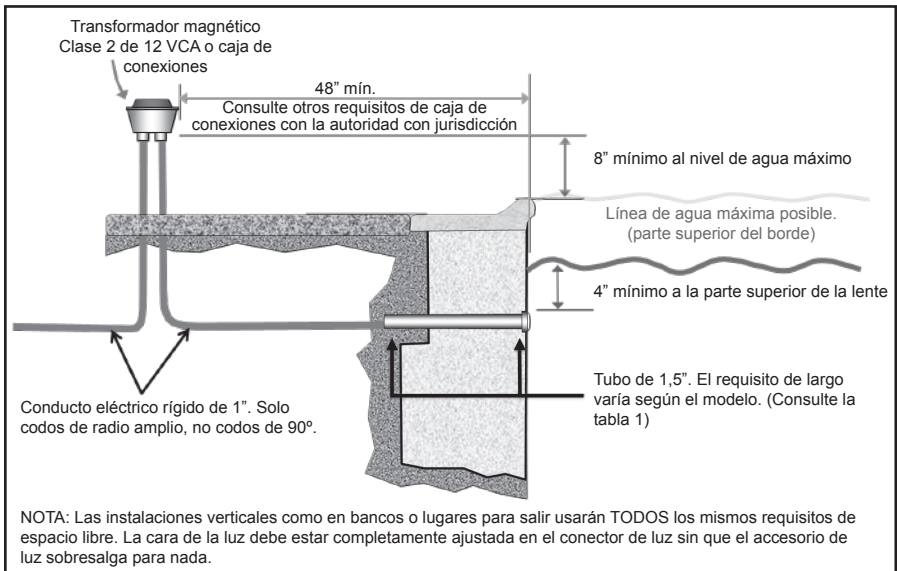


Figura 1. Instalación de la luz LED Jandy® Pro Series con conector estándar plástico de 1,5”

Use la tabla a continuación para determinar el largo adecuado del tubo para su instalación.

WATTS	LARGO MÍNIMO DEL TUBO DE 1,5”
6 W	7”
12 W	10”
24 W	10”

Todos los productos que se detallan arriba incluyen cables de diversos largos. Los cables vienen en largos de 50, 100 y 150 pies.

Tabla 1. Largo mínimo del tubo de 1,5” para la luz LED Jandy® Pro Series

3.2 Instalación del accesorio de luz

NOTA: Lleve a cabo estos pasos *solo* después de que se cumplan los requisitos del sistema eléctrico.

1. Mantenga colocada la cubierta de protección para proteger la luz durante la instalación.

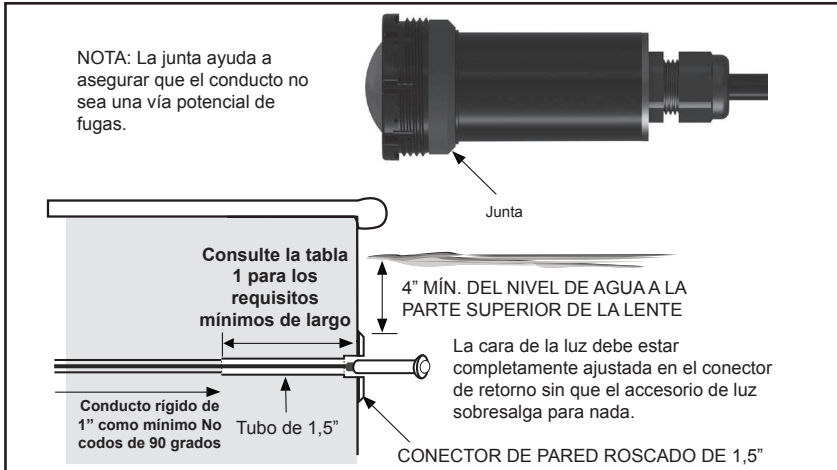
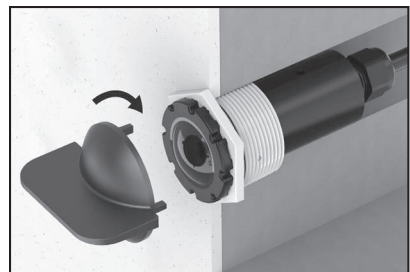


Figura 2. Instalación estándar con conector de pared de piscina de 1,5"

2. Pase el cable eléctrico a través de la salida del conducto del conector de pared y por dentro del conducto, hasta la ubicación del transformador de la piscina. Corte el cable entre 18" y 24" más allá del largo necesario para llegar al transformador, para permitir un bucle de servicio. Coloque el accesorio ajustado en el conector de pared.
3. Extraiga la cubierta de protección después de colocar la luz en el conector.
4. Instale una cubierta cosmética, si lo desea.
5. Aplique lubricante de silicona de Teflon™ a las roscas como ayuda para enroscar.

NOTA: Al usar un conector MIP de 1 1/2" en la parte posterior de un conector de pared SP-1022 o SP-1408, el interior de los MIP Spears y Dura son demasiado pequeños para usarse con las luces LED sin nicho Jandy® Pro Series.

6. Con la herramienta de instalación que se incluye, enrosque la luz en el conector de pared hasta que esté ajustada. La cara de la luz debe estar completamente al ras con el conector de retorno. Proporcione al propietario de la piscina al menos 1 llave después de terminar el trabajo.



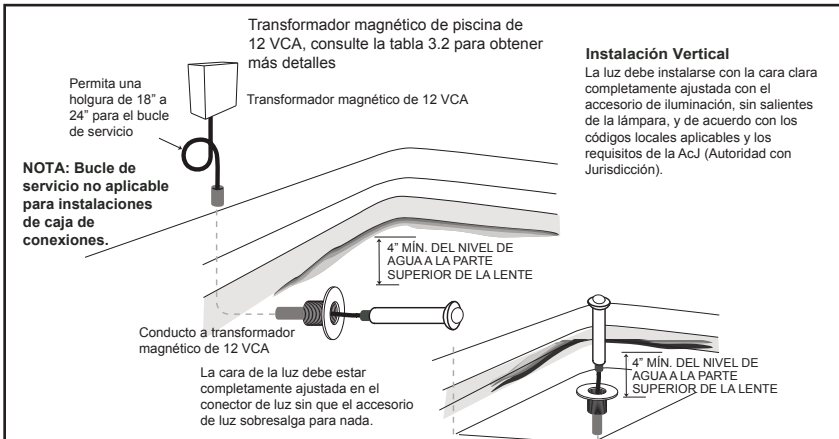


Figura 3. Instalación estándar con conector de pared de piscina de 1,5"

3.3 Instalaciones en áreas húmedas

Para la iluminación en áreas húmedas, use SOLO modelos de 6 watts. Excepto cuando la luminaria esté bien protegida, la luminaria debe instalarse en áreas no sujetas a contacto incidental con personas, mascotas, vehículos y tránsito peatonal.

Sección 4. Opciones de cableado par controlar las luces LED sin nicho Jandy® Pro Series

NOTA: Considere siempre el largo del cable al calcular el voltaje de entrada en el transformador. El tendido máximo de servicio entre el transformador y las luces no debe superar los 150 pies de largo, se use o no una caja de conexiones.

En la medida que lo permitan los códigos de instalación locales vigentes en la jurisdicción de instalación y la capacidad del equipo eléctrico, pueden controlarse más de una luz Jandy Pro Series con un único interruptor y un transformador magnético de 12 VCA para que sus colores puedan sincronizarse.

NOTA IMPORTANTE: Todos los accesorios deben conectarse al mismo transformador, circuito o interruptor para que haya sincronización. Se recomienda con énfasis el uso de núcleo macizo en lugar de trenzado, y de barras colectoras de terminación.

4.1 Cableado a un controlador AquaLink®

Las luces LED sin nicho Jandy Pro Series pueden controlarse mediante un controlador AquaLink. Conecte el transformador que energiza las luces a uno de los relés auxiliares de AquaLink.

Consulte la figura 4 para conectar las luces LED sin nicho Jandy Pro Series al centro de energía.

4.2 Calibre y largo de los cables

PRECAUCIÓN

Las luces LED sumergidas sin nicho Jandy® Pro Series son accesorios de bajo voltaje. El calibre y el largo incorrectos de los cables pueden afectar el desempeño de estos productos. Siga las pautas debajo para determinar la operación correcta y el desempeño óptimo de las luces.

Los voltajes se determinan según el nivel de voltaje medido en la barra colectora donde están conectados el transformador y los cables.

NOTA: Cada modo de color tiene un consumo de energía levemente diferente

Luces de 6 W y 12 W: Voltaje mínimo/máximo por largo del cable		
Largo del cable	Voltaje mínimo	Voltaje máximo
50 pies	9,4 VCA	12,4 VCA
100 pies	10,7 VCA	13,2 VCA
150 pies	11,82 VCA	13,8 VCA

Luces de 24 W: Voltaje mínimo/máximo por largo del cable		
Largo del cable	Voltaje mínimo	Voltaje máximo
50 pies	10,34 VCA	12,56 VCA
100 pies	10,9 VCA	13,5 VCA
150 pies	11,43 VCA	14,1 VCA

Tabla 2. Niveles mínimos/máximos de voltaje de la luz LED Jandy® Pro Series

ADVERTENCIA

RIESGO DE CHOQUE ELÉCTRICO O ELECTROCUCIÓN, que pueden resultar en lesiones graves o en la muerte. Debe usarse un interruptor diferencial (GFCI) para transformadores de 120 voltios si lo requieren el fabricante del transformador o el código local aplicable y la autoridad con jurisdicción. Cuando se use un interruptor diferencial (GFCI), los conductores en el lado de carga del circuito del interruptor diferencial (GFCI) no deben ocupar conductos, cajas ni cerramientos que contengan otros conductores, a no ser que los conductores adicionales también estén protegidos mediante un interruptor diferencial (GFCI). Consulte los códigos locales para obtener los detalles completos.

⚠ ADVERTENCIA

RIESGO DE CHOQUE ELÉCTRICO O ELECTROCUCIÓN, que pueden resultar en lesiones graves o en la muerte. Las luces LED sin nicho Jandy Pro Series solo están disponibles para energía de CA de 12 voltios. Para la conexión de suministro, use solo una fuente de alimentación de bajo voltaje aislante con salida sin conexión a tierra, evaluada por un NRTL e incluida en la lista de un NRTL para su uso en piscinas.

4.3 Cableado a un interruptor

Las luces LED sin nicho Jandy® Pro Series pueden cablearse a un interruptor para operarse manualmente. Consulte la figura 4 para conectar las luces al interruptor.

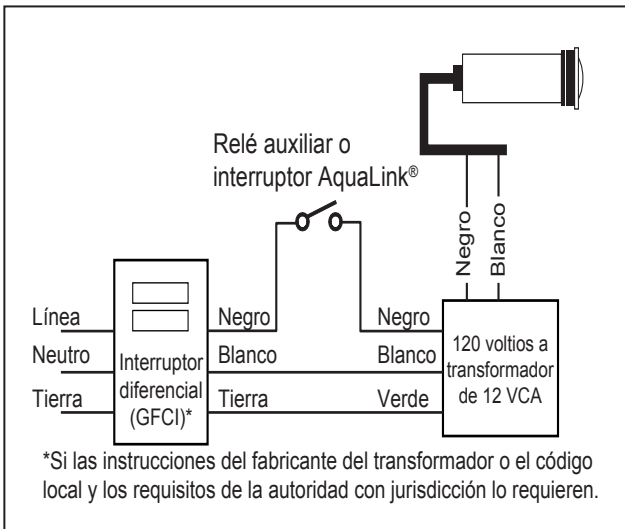


Figura 4. Cableado de las luces sumergidas sin nicho Jandy Pro Series

4.4 Instalación de doce (12) voltios

Debe usarse un transformador magnético de 12-14 voltios CA para energizar todas las luces de 12 voltios.

NOTA Para un desempeño óptimo, no supere el factor de carga especificado por las instrucciones que se incluyen con el transformador.

Para asegurar una seguridad máxima, use solo un transformador de Clase 2 que pueda proporcionar 12-14 voltios CA para energizar todas las luces de 12 voltios. El transformador debe contar con la certificación o estar incluido en la lista de un laboratorio de pruebas con reconocimiento nacional (Nationally Recognized Testing Laboratory, NRTL) para el uso previsto.

⚠ PRECAUCIÓN

Para prevenir el riesgo de incendios que podrían resultar en daños materiales y para asegurar un desempeño óptimo, no supere el factor de carga especificado por las instrucciones suministradas por el fabricante del transformador.

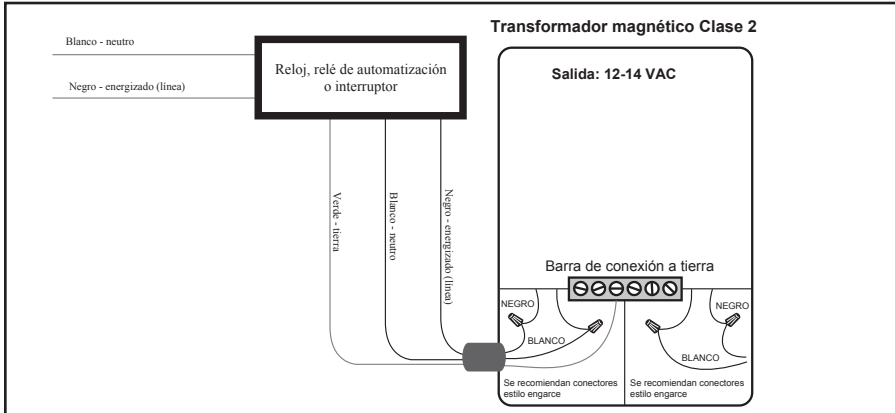


Figura 5. Cableado de luces LED a un transformador magnético de 12 voltios

NOTA Puede usarse un interruptor atenuador o relé atenuador de bajo voltaje magnético cuando se instalan luces SOLO BLANCAS sin nicho Jandy Pro Series. Las luces de colores Jandy Pro Series NO SON ATENUABLES y NO SON COMPATIBLES con interruptores atenuadores o relés atenuadores.

NOTA Las secciones 5 a 8 se aplican solo a las luces de colores (rojas, verdes, azules y blancas, o rojas, verdes y azules). Todos los accesorios deben conectarse al mismo transformador, circuito o interruptor para que haya sincronización.

Sección 5. Instrucciones operativas de las luces LED sumergidas sin nicho Jandy® Pro Series

5.1 Sincronización de las luces

1. **Encienda** la luz. Si la luz estuvo apagada durante 7 segundos o más, la luz se encenderá con el último color seleccionado.
2. Para sincronizar varias luces con el mismo modo de color, deberá restablecer al principio de la secuencia del modo de color. Con las luces **encendidas**, **apáguelas** durante cinco (5) y, a continuación, vuelva a **encenderlas**. Todas las luces se restablecerán al modo de color blanco alpino. Si todas las luces no están en el modo de color blanco alpino, no se sincronizaron, y debe repetirse el paso 2.

5.2 Cómo operar la luz

3. Para cambiar el modo de color, **apague** la luz durante 1 a 3 segundos. Continúe **apagando** y **encendiendo** hasta llegar al modo de color deseado. Consulte la tabla 3 para obtener la secuencia de modos de color.

Ejemplo: Si siguió el paso 3 y ahora está en azul cielo y desea que las luces estén violetas, las luces deben apagarse y encenderse 7 veces para llegar al violeta.

Orden secuencial	Modos de color
1	Blanco alpino
2	Azul cielo
3	Azul cobalto
4	Azul caribe
5	Verde primavera
6	Verde esmeralda
7	Rosa esmeralda
8	Magenta
9	Violeta
10	Salpicadura lenta de colores
11	Salpicadura rápida de colores
12	Los bellos Estados Unidos
13	Carnaval
14	Disco tecno

Tabla 3. Secuencia de modos de color

4. Las luces tienen memoria. Si las luces permanecen apagadas durante 7 segundos o más, la próxima vez que se enciendan, regresarán al último modo de color en el que estuvieron antes de apagarse (paso 1 detallado arriba). Esta función le permite hacer que las luces regresen a su modo de color favorito cada vez que vuelven a encenderse.

NOTA Para sincronizar colores en varios sistemas de luces LED sumergidas sin nicho Jandy® Pro Series cableadas a interruptores separados, lleve a cabo las acciones anteriores en todos los interruptores simultáneamente. Todas las luces LED sumergidas sin nicho Jandy Pro Series se sincronizarán automáticamente si se activan mediante el mismo interruptor. No se requieren otros accesorios.

Sección 6. Instrucciones operativas de las luces LED sumergidas sin nicho S-Series

6.1 Sincronización de las luces S-Series

1. **Encienda** la luz y espere **20 segundos**. Las luces se encenderán en blanco durante 10 a 15 segundos y regresarán al modo de color en el que estaban antes de apagarse.
2. Para sincronizar las luces, apáguelas, espere de 6 a 9 segundos, y vuelva a encenderlas. Deberá ver tres parpadeos rápidos (rojo, verde y azul), y todas las luces se restablecerán al primer modo de color (isla del tesoro).
3. (A) Si no ve tres parpadeos rápidos, las luces no se restablecieron.
(B) Si no esperó lo suficiente (menos de 6 segundos), las luces avanzarán al siguiente modo de color. No están sincronizadas, ya que cada luz puede estar en un modo de color diferente.
(C) Si espera demasiado (más de 9 segundos), todas las luces pasarán a blanco durante 10 a 15 segundos y aparentarán estar sincronizadas, PERO DESPUÉS DE 15 segundos regresarán al modo de color anterior (y en este punto las luces todavía no están sincronizadas).
4. Repita los pasos 1 a 3 hasta lograr la sincronización.

6.2 Cómo operar las luces S-Series

1. Para pasar al modo de color siguiente, apague las luces durante 1 o 2 segundos y vuelva a encenderlas. Repita hasta encontrar el modo de color deseado.

Ejemplo: Si ahora está en verde fijo y desea que las luces estén blancas, las luces deben apagarse y encenderse 7 veces para llegar al blanco luna.

Orden secuencial	Modos de color para las luces S-Series
1	Isla del tesoro/cambio de color lento
2	Blanco luna/blanco fijo
3	Azul SAVI/azul fijo
4	Mar de sargazos/verde fijo
5	Laguna azul/celeste fijo
6	Rosa pasión/celeste fijo
7	Tonos caribeños/cambio de color lento entre azul y verde
8	Copacabana/cambio de color lento entre magenta, amarillo y anaranjado
9	Fiesta dance/efecto estroboscópico multicolor

Tabla 4. Secuencia de modos de color para las luces S-Series

2. Las luces tienen memoria. Si las luces se apagan durante 10 segundos o más, la vez siguiente que se enciendan, las luces estarán en blanco durante aproximadamente 10 a 15 segundos y, a continuación, regresarán al último modo de color en el que estaban antes de apagarse. Esta función le permite hacer que las luces regresen a su modo de color favorito cada vez que vuelven a encenderse.

NOTA Para sincronizar colores en varios sistemas de luces LED sumergidas sin nicho S-Series cableadas a interruptores separados, lleve a cabo las acciones anteriores en todos los interruptores simultáneamente. Todas las luces LED sumergidas sin nicho S-Series se sincronizarán automáticamente si se activan mediante el mismo interruptor. No se requieren otros accesorios.

Sección 7. Instrucciones de operación de las luces LED sumergidas sin nicho H-Series

7.1 Sincronización de las luces H-Series

1. **Encienda** la luz. Las luces se encenderán en blanco durante 15 segundos y regresarán al modo de color en el que estaban antes de apagarse.
2. Las luces H-Series pueden operarse de manera independiente o juntas, según su instalación inicial. Todas las luces H-Series cableadas al mismo transformador de 12 V/interruptor sincronizarán la operación de los 17 modos de color. Si se salen de sincronización, encienda el interruptor y vuelva a apagarlo, espere de 6 a 9 segundos, y vuelva a encenderlo. Las luces deben regresar a la posición n.º 1.

7.2 Cómo operar las luces H-Series

1. Para pasar al modo de color siguiente, apague las luces durante 1 a 3 segundos y vuelva a encenderlas. Repita hasta encontrar el modo de color deseado.

Ejemplo: Si ahora está en azul profundo y desea que las luces estén blancas, las luces deben apagarse y encenderse 5 veces para llegar al blanco.

Orden secuencial	Modos de color (emulación de Universal Hayward® ColorLogic®)
1	Espectáculo de color, Voodoo Lounge
2	Mar azul profundo
3	Azul real
4	Cielos de la tarde
5	Verde agua
6	Esmeralda
7	Blanco nube
8	Rojo cálido
9	Rosa flamenco
10	Violeta vívido
11	Púrpura/rojo sangría oscuro
12	Espectáculo de color, crepúsculo
13	Espectáculo de color, tranquilidad
14	Espectáculo de color, gema
15	Espectáculo de color, EE. UU.
16	Espectáculo de color, carnaval
17	Espectáculo de color, cabaret con onda

Tabla 5. Secuencia de modos de color para las luces H-Series

- Las luces tienen memoria. Si las luces se apagan durante 60 segundos o más, la vez siguiente que se enciendan, las luces estarán en blanco durante aproximadamente 15 segundos y, a continuación, regresarán al último modo de color en el que estaban antes de apagarse. Esta función le permite hacer que las luces regresen a su modo de color favorito cada vez que vuelven a encenderse.
- Las luces LED coloreadas sin nicho H-Series están diseñadas específicamente para operarse con controles Hayward® selectos y con sistemas Zodiac® Rev T.2 RS para interruptores/acceso directos a colores y programas. Consulte los controles Hayward y Zodiac Series para la instalación y las indicaciones operativas.

NOTA Las luces H-Series NUNCA deben usarse en conjunto con otras luces. Las opciones de color, los espectáculos y las operaciones son completamente diferentes.

Sección 8. Instrucciones operativas de las luces LED sumergidas sin nicho P-Series

8.1 Cómo operar las luces P-Series

1. **Encienda** la luz y espere **20 segundos**. Las luces se encenderán en blanco durante unos segundos y regresarán al modo de color en el que estaban antes de apagarse.
2. Las luces LED coloreadas sin nicho P-Series están diseñadas específicamente para operarse con controles Pentair® selectos y con controles Jandy Aqualink con control Pentair IntelliBrite® para interruptores/acceso directos a colores y programas SIN tener que alternar el encendido y apagado de las secuencias. Consulte el manual del controlador para la instalación y las indicaciones operativas.

NOTA Al usar los controles mencionados arriba (al programar la función de luz), la opción general de selección ofrecida que debe seleccionarse es IntelliBrite. El color y los nombres de los espectáculos serán algo diferentes, pero todas las operaciones serán correctas.

NOTA Las luces P-Series NUNCA deben usarse en conjunto con otras luces. Las opciones de color, los espectáculos y las operaciones son completamente diferentes.

3. Para pasar a otro modo de color, apague y encienda las luces la cantidad de veces seleccionada que se indica a continuación.

Ejemplo: Si ahora está en azul (8) y desea que las luces estén magenta (12), las luces deben apagarse y encenderse doce (12) veces para llegar al magenta. Para pasar a tradicional, apague y encienda 1 vez.

ADVERTENCIA

Durante el ciclo de encendido y apagado, antes de mostrarse el modo seleccionado, no habrá iluminación. Durante este periodo, la piscina/el spa estarán oscuros y deben tomarse medidas de precaución para evitar accidentes imprevistos. Si no se observa esta advertencia, los usuarios de la piscina/del spa pueden sufrir lesiones graves o morir.

Ciclo Número	Modos de color para las luces P-Series (emulación de Pentair® IntelliBrite®)
1	Modo SAm®
2	Modo de fiesta
3	Modo romántico
4	Modo caribeño
5	Modo estadounidense
6	Atardecer en California
7	Modo real
8	Azul
9	Verde
10	Rojo
11	Blanco
12	Magenta
13*	<i>Mantener: Guarda la opción de color en curso durante un espectáculo de color</i>
14*	<i>Recuperar: Enciende la última selección de color guardada seleccionada en la posición n.º 13</i>
* Estos 2 modos se usan específicamente con sistemas de control avanzados y no con operaciones manuales	

Tabla 6. Secuencia de modos de color para las luces P-Series

4. Las luces tienen memoria. Si las luces se apagan durante 5 a 10 segundos, la vez siguiente que se enciendan, las luces estarán en blanco durante unos segundos y, a continuación, regresarán al último modo de color en el que estaban antes de apagarse. Esta función le permite hacer que las luces regresen a su modo de color favorito cada vez que vuelven a encenderse.

Sección 9. Preparación para el invierno

No mantenga el nivel de agua en el invierno al nivel de la luz. Asegúrese de que el nivel del agua esté a al menos 4” o más por arriba o por abajo de la luz, según las demás necesidades de la piscina para el invierno. Consulte a un profesional de piscinas local para las necesidades de la piscina en invierno. NUNCA debe quitarse el agua de la piscina sin verificar los niveles freáticos.

Sección 10. Resolución de problemas

Use la información de resolución de problemas de la tabla siguiente para obtener sugerencias.

Síntoma	Problema	Acción correctiva
Ninguna luz se ilumina	Las luces no reciben energía	Verifique el suministro de energía de 120 VCA al transformador. Verifique la salida de 12 VCA en el transformador. Verifique o restablezca el interruptor diferencial (GFCI). Asegúrese de que no se hayan usado 120 voltios en la instalación. De ser así, es seguro que habrá daños y NO ENTRA EN GARANTÍA.
Una o más luces están atenuadas, parpadean o no funcionan	Mala conexión o un calibre de cable incorrecto	Separe cada luz y cablee de manera independiente 12 V a solo una luz. Repita este proceso con cada una de las luces. Si se usa una caja de conexiones, verifique la conexión correcta del cable de luz. Verifique que se use el calibre de cable correcto entre el transformador y la caja de conexiones.
Las luces coloreadas no están sincronizadas	Un suministro de voltaje incorrecto o una mala conexión a la luz	Verifique que se logren conexiones de cables correctas para las luces fuera de sincronización. Restablezca todas las luces a blanco. Para ello, apague las luces durante cinco (5) segundos y, a continuación, vuelva a encenderlas ON
La luz parpadea	La luz está demasiado caliente	Confirme que la luz esté sumergida en agua que no supere los 104 °F (40 °C)
Diferentes colores de diferentes luces	Hay luces de colores de diferentes series instaladas en el mismo circuito	Verifique si una o más luces son de un tipo de serie distinto de la serie deseada y reemplácelas con el tipo de serie deseado.

Zodiac Pool Systems LLC

2882 Whiptail Loop # 100
Carlsbad, CA 92010, USA
Jandy.com | 1.800.822.7933

Zodiac Pool Systems Canada, Inc.

2-3365 Mainway
Burlington, ON L7M 1A6, Canada
Jandy.ca | 1.800.822.7933

Una marca de Fluidra



INCLUIDO EN ETL
CUMPLE
UL STD 676

CERTIFICACIÓN
CAN/CSA C22.2 NO.89

©2022 Zodiac Pool Systems LLC. Todos los derechos reservados. ZODIAC® es una marca comercial registrada de Zodiac International, S.A.S.U., utilizada bajo licencia. Todas las demás marcas comerciales son propiedad de sus respectivos dueños.